

P603DEX Series

LOCAL DISPLAY DIFFERENTIAL PRESSURE TRANSMITTER

RANGE

0 ~ 0.01 ...
20 bar

ACCURACY

+ / -
0.25 %

MEDIA

**Liquid
&
Gas**

SPECIFICATION

MODEL	P603DEX : Transmitter P603DEX-N : Transmitter & Switch
ACCURACY	± 0.25% F.S.
RANGE	0 ~ 0.01 ... 20 bar 0 ~ 0.01 bar 부터 0 ~ 20 bar 사이의 모든 차압범위 제작가능 연성 제작 가능
OUTPUT	P603DEX : DC4-20mA P603DEX-N : DC4-20mA & 2xSPDT 5A@30V DC, 0.5A@125V AC
MATERIAL	Housing : Aluminum Die-casting Diaphragm : 316LSS O-ring : Viton Etc. : 316SS
POWER	DC24V
PROCESS CONNECTION	1/4" NPT Female 1/4" PT Available*
CABLE GLAND PORT	1/2"PF Female [without cable gland]
OPERATING TEMPERATURE	-25 to 80°C Max. 150°C* [with cooling element]
AMBIENT TEMPERATURE	-20 ~ 60 °C
WORKING PRESSURE	≤ 0.1bar : 35 bar > 0.1bar : 100 bar (Both of high & low side must be pressured on line at the same time)
DISPLAY	Customized 5-Digit LCD
UNIT	bar, kgf/cm ² , mbar, kPa, mmH ₂ O, mmHg . . .
PROTECTION	IP67 Ex d IIC T6



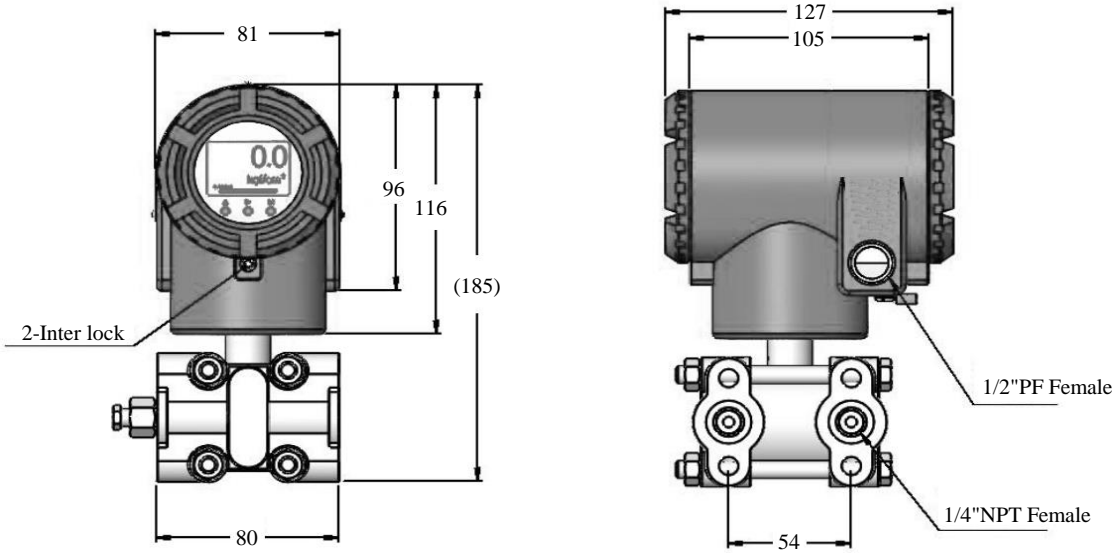
Approvals



Explosion Proof Type

| FLOW | | PRESSURE | | TEMPERATURE | | AC | | DC | | BATTERY | | OUTPUT | | CONTACT | | DISPLAY |

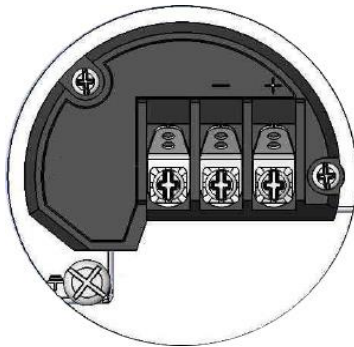
DIMENSION (mm)



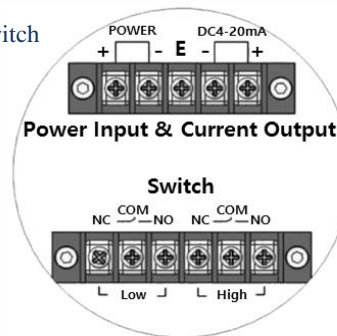
※ 제품의 사양에 따라 변경 될 수 있습니다

DIAGRAM

P603DEX Transmitter



P603DEX-N Transmitter & Switch



ACCESSORY



ADAPTER

316SS
250bar at 25°C
1/4"NPT [M] x 1/4"PT [F]



COOLING ELEMENT

CP
316SS
Max. 150°C@25°C
1/4"NPT [M] x 1/4"PT [F]

| FLOW | | PRESSURE | | TEMPERATURE | | AC | | DC | | BATTERY | | OUTPUT | | CONTACT | | DISPLAY |

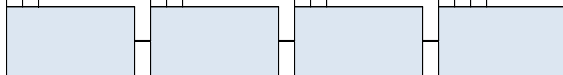
Ordering Information

Code	Model
P603DEX	Transmitter
P603DEX-N	Transmitter & Switch

Code	Pressure Range
제작범위	0~0.01 bar 부터 0~20 bar 까지 요청 차압범위 선택 ex) 0~500 mmAq, 0~10 kPa, 0~10 bar
선택기재	연성압 제작 가능 ex) -500~+500 mmH2O, -10~+10 kPa, -1~+5 bar

Code	Output
1	4-20mA
2	4-20mA & 2SPDT [H & L]

Code	Accessory
0	Without [std.]
1	Adapter 1/4" PT
2	CP



Complete Ordering Code

| FLOW | | PRESSURE | | TEMPERATURE | | AC | | DC | | BATTERY | | OUTPUT | | CONTACT | | DISPLAY |