

# DT114 / VDT114

THREAD TYPE DIAPHRAGM SEAL

Approvals:



Corrosion - resistance



RANGE

0 ~ 1 ...  
**10 bar**

SIZE

1/4 ...  
**1/2 Inch**

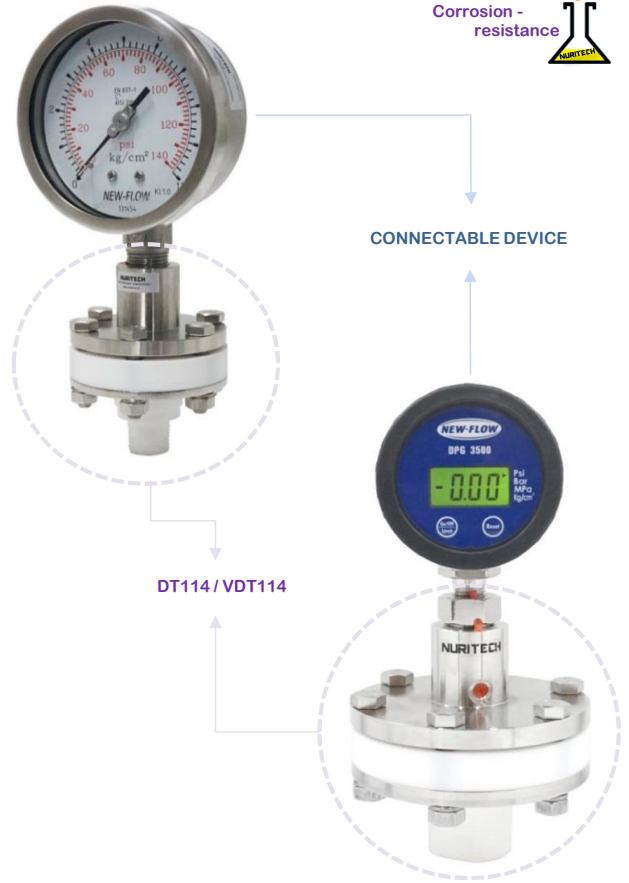
MEDIA

**Liquid & Gas**

## SPECIFICATION

<b>MODEL</b>	DT114 VDT114
<b>MEMBRANE SIZE</b>	55Φ : 0~4...10 bar 75Φ : -1~0...2.5 bar
<b>CONNECTION</b>	1/4", 3/8", 1/2" NPT, PF male, Female
<b>BODY MATERIAL</b>	Upper housing : 316SS Lower housing : Teflon : Polypropylene : PVC : PVDF
<b>MEMBRANE MATERIAL</b>	316LSS + Teflon lining Hastelloy C276* Tantalum*
<b>TEMPERATURE LIMITED</b>	Max. 120°C

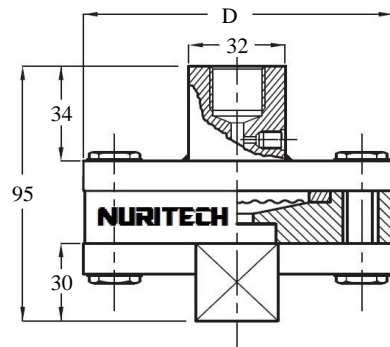
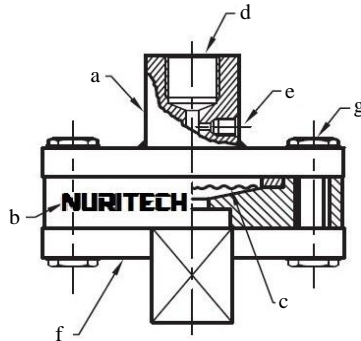
\*=Optional



FLOW | PRESSURE | TEMPERATURE | AC | DC | BATTERY | OUTPUT | CONTACT | DISPLAY

## DIMENSION (mm)

Item	Description of parts
a	Upper housing
b	Lower housing
c	Membrane
d	Instrument connection
e	Filling port
f	Process connection
g	Screw bolt








### Membrane size

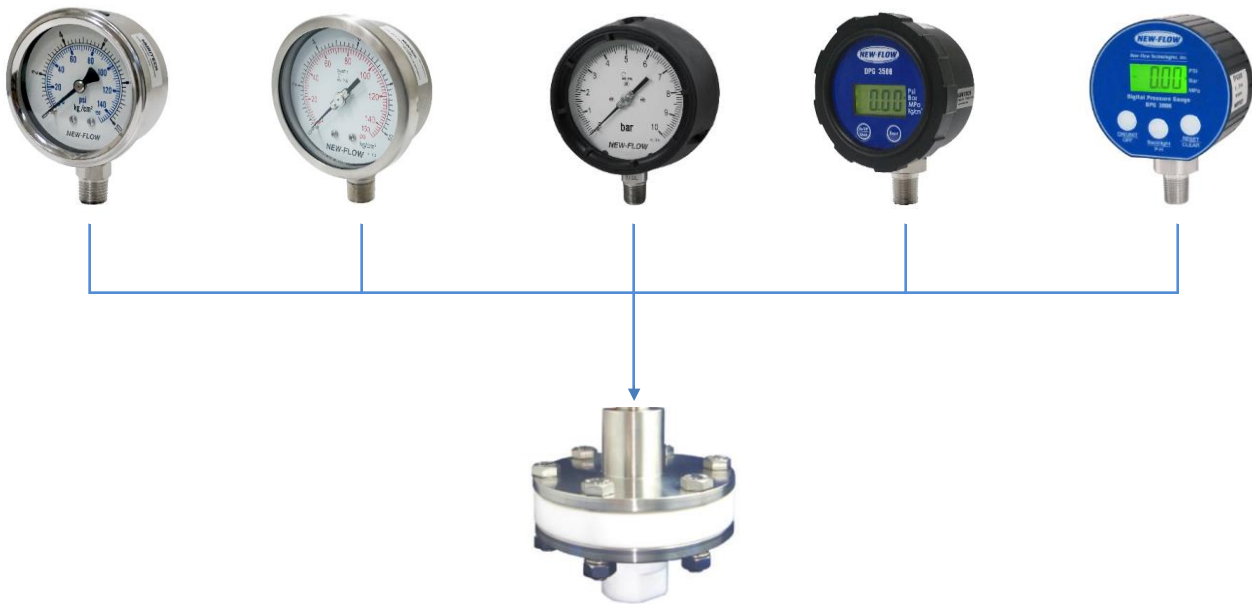
	55	75
Φ	55	75
D	80	100

제품의 사양에 따라 변경 될 수 있습니다.

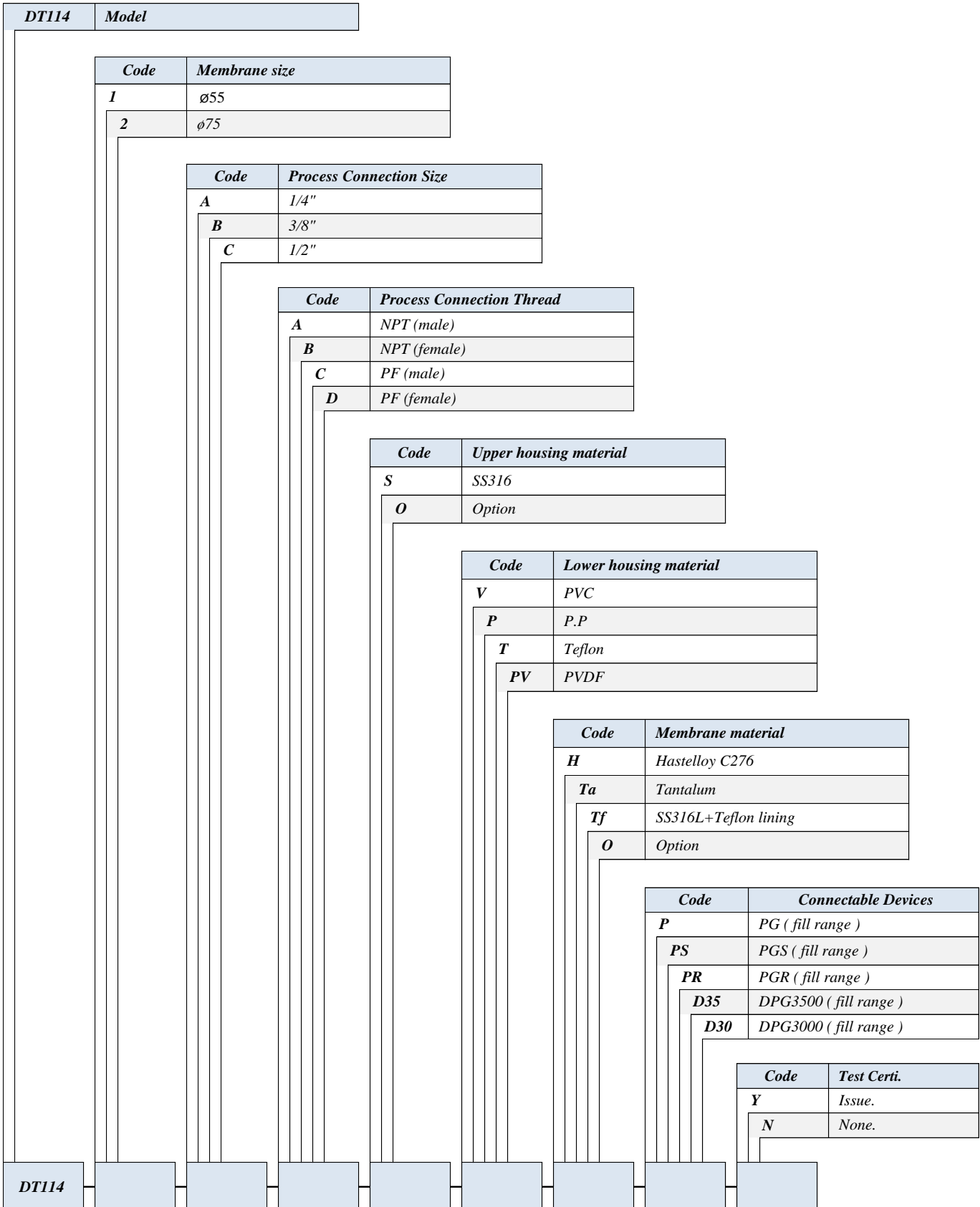
### CONNECTABLE DEVICES

					
Model	PG	PGS	PGR	DPG3500	DPG3000
Accuracy	±1.6% F.S.	±1.0% F.S.	±0.5% F.S.	±1.0% F.S.	±0.5% F.S.
Gauge outdia.	60mm	100mm	125mm	80mm	75mm
Range Unit : bar or kg/cm <sup>2</sup>	-1 ~ 0	-1 ~ 0	-1 ~ 0	0 ~ 1	-1 ~ 0
	-1 ~ 1.5	-1 ~ 1.5	-1 ~ 1.5	0 ~ 3.5	0 ~ 7
	-1 ~ 3	-1 ~ 3	-1 ~ 3	0 ~ 7	
	-1 ~ 5	-1 ~ 5	-1 ~ 5		
	-1 ~ 9	-1 ~ 9	-1 ~ 9		
	0 ~ 1	0 ~ 1	0 ~ 1		
	0 ~ 1.6	0 ~ 2.5	0 ~ 1.6		
	0 ~ 2.5	0 ~ 4	0 ~ 2.5		
	0 ~ 4	0 ~ 7	0 ~ 4		
	0 ~ 6	0 ~ 10	0 ~ 6		
0 ~ 10		0 ~ 10			

| FLOW | | PRESSURE | | TEMPERATURE | | AC | | DC | | BATTERY | | OUTPUT | | CONTACT | | DISPLAY |



## Ordering Information



| FLOW | | PRESSURE | | TEMPERATURE | | AC | | DC | | BATTERY | | OUTPUT | | CONTACT | | DISPLAY |