

SPT2-P

PP DIAPHRAGM PRESSURE TRANSMITTER

RANGE

0 ~ 2 ...
0~20 bar

ACCURACY

+/-
1.0 %

MEDIA

**Liquid
&
Gas**

RANGE TABLE

CODE	RANGE	CODE	RANGE
B	0 to 2 bar	E	0 to 10 bar
C	0 to 4 bar	F	0 to 16 bar
D	0 to 6 bar	G	0 to 20 bar

SPECIFICATION

MODEL	SPT2-P
ACCURACY	±1.0% F.S.
PROCESS CONNECTION	1/2"PT Female
ELECTRIC CONNECTION	DIN 43650
WETTED PARTS MATERIAL	Case : Polypropylene Diaphragm capsule : Viton
OUTPUT	DC4-20mA [2-wire]
POWER	12 ... 32VDC
MEDIUM TEMPERATURE	0 to 60℃
AMBIENT TEMPERATURE	0 to 55℃

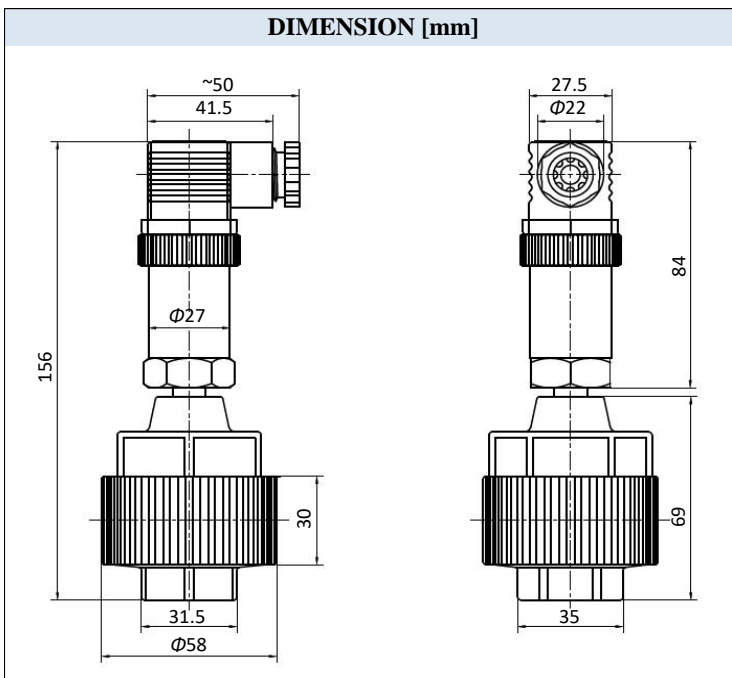


Wetted Parts

Polypropylene
Viton

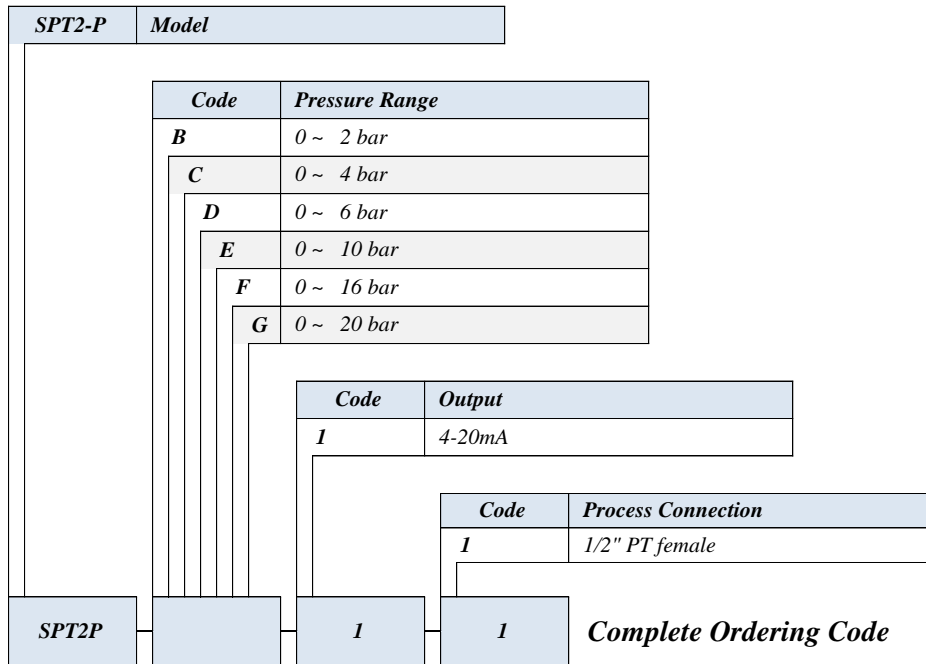


DIMENSION [mm]



| FLOW | | PRESSURE | | TEMPERATURE | | AC | | DC | | BATTERY | | OUTPUT | | CONTACT | | DISPLAY |

Ordering Information



RELATED PRODUCTS

PD1

PRESSURE INDICATOR
Only Display



MODEL	PD1
DISPLAY	4-Digit Red LED
ACCURACY	±0.2% F.S.
SAMPLING CYCLE	200ms
INPUT	DC4-20mA
OUTPUT	None
AMBIENT TEMPERATURE	-10 to 60°C
HOUSING MATERIAL	ABS Resin
POWER	AC110/220V, 50~60Hz DC24V [option]
FEATURE	Adjustable Scale & Decimal Point Peak Hold Correction of error Built in Power supply for transmitter [DC24V]
MOUNTING	Panel mounting Type

Size : 96(W) x 48(H) x 112(D)
Panel Cut : 92(W) x 45(H)

PD2

PRESSURE INDICATOR
Output Signal



MODEL	PD2
DISPLAY	4-Digit Red LED
ACCURACY	±0.2% F.S.
SAMPLING CYCLE	200ms
INPUT	DC4-20mA
OUTPUT	DC4-20mA 2-Relays output [DC24V-1A, AC240V-0.5A] RS-485 [option] 1~5V DC [option]
AMBIENT TEMPERATURE	-10 to 60°C
HOUSING MATERIAL	ABS Resin
POWER	AC110/220V, 50~60Hz DC24V [option]
FEATURE	Adjustable Scale & Decimal Point Peak Hold Correction of error Built in Power supply for transmitter [DC24V]
MOUNTING	Panel mounting Type