

Aco2

On-wall CO2 sensor

RANGE

0~2000

... 5000 ppm

POWER

24

V DC

OUTPUT

4-20mA

0~10V

Approvals



Messtechnik
Made in Germany

SPECIFICATION

| | |
|------------------------------|--|
| MODEL | ACO2 |
| OUTPUT | DC4-20mA & 0-10V [selectable DIP switch] 1 x potential-free changeover contact, 1A, 24V |
| POWER | 24V DC Peak current 200mA |
| POWER CONSUMPTION | < 4.8 W / 24V DC typical |
| MEASURING RANGE | 0 to 2000 ppm / 0 to 5000 ppm [selectable DIP switch] |
| SENSOR CO2 | optical NDIR sensor with automatic and manual calibration |
| ACCURACY | typically ± 30 ppm $\pm 3\%$ of measured value |
| GAS EXCHANGE | by diffusion |
| AMBIENT TEMPERATURE | -10 ... 60 °C, non-precipitating |
| WARM UP TIME | approx. 1 hour |
| RESPONSE TIME | < 2 min. |
| INSTALLATION | by screws |
| CABLE GLAND | M16 x 1.5 |
| ENCLOSURE | Plastic |
| PROTECTION TYPE | IP65 [according to EN 60529] |
| ELECTRICAL CONNECTION | 0.14 - 1.5 mm ² , via terminal screws |



with display

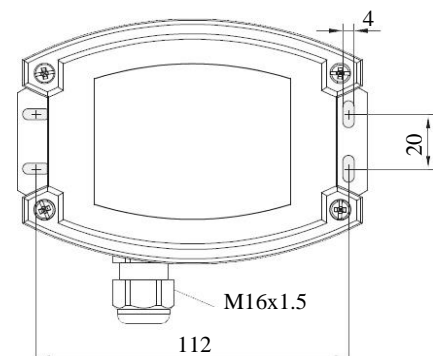
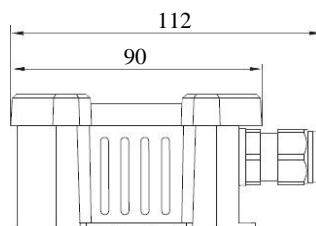
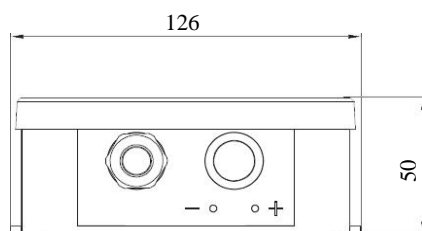


without display

CO2 | HUMIDITY | TEMPERATURE | AC | DC | BATTERY | OUTPUT | CONTACT | DISPLAY

DIMENSION (mm)

※ 제품의 사양에 따라 변경 될 수 있습니다



Ordering Information

| ACO2 | Model | | | | | | |
|------|--|------|---------|---|-----------------------|---|------|
| | <table border="1"> <thead> <tr> <th>Code</th> <th>Output</th> </tr> </thead> <tbody> <tr> <td>1</td> <td>4-20mA & 0~10VDC & 1C</td> </tr> </tbody> </table> | Code | Output | 1 | 4-20mA & 0~10VDC & 1C | | |
| Code | Output | | | | | | |
| 1 | 4-20mA & 0~10VDC & 1C | | | | | | |
| | <table border="1"> <thead> <tr> <th>Code</th> <th>Display</th> </tr> </thead> <tbody> <tr> <td>1</td> <td>Without</td> </tr> <tr> <td>2</td> <td>With</td> </tr> </tbody> </table> | Code | Display | 1 | Without | 2 | With |
| Code | Display | | | | | | |
| 1 | Without | | | | | | |
| 2 | With | | | | | | |
| ACO2 | 1 | | | | | | |

Complete Ordering Code

TYPE & IMAGE



CO2 | HUMIDITY | TEMPERATURE | AC | DC | BATTERY | OUTPUT | CONTACT | DISPLAY