

AFTF-20 / AFTF-25

On-wall humidity and temperature sensor

RANGE

0~95 %
-30~80 °C

POWER

15 ... 36
V DC

OUTPUT

4-20mA
0~10V

Approvals



Messtechnik
Made in Germany

SPECIFICATION

MODEL	AFTF-20 [plastic sinter filter] AFTF-25 [metal sinter filter]
OUTPUT	DC4-20mA : 3 or 4-wire [4-wire for LCD backlight] 0-10V : 4-wire
POWER	15 to 36V DC
MEASURING RANGE	Humidity : 0 to 100% r.H. Temperature : -35 to 80 °C
OPERATING RANGE	Humidity : 0 to 95% r.H. [non-precipitating air] Temperature : -30 to 80 °C
DEVIATION	Humidity : typically ±1.8% r.H. [10...90%] at +25 °C, otherwise ±2% r.H. Temperature : typically ±0.2K at +25 °C
AMBIENT TEMPERATURE	-30 ... +80 °C, non-precipitating
SENSOR PROTECTION	AFTF-20 : plastic sinter filter, Φ 16mm, L=35mm, exchangeable AFTF-25 : pluggable measuring head [probe], metal sinter filter, Φ 16mm, L=88.5mm, exchangeable
PROTECTIVE TUBE	AFTF-20 : stainless steel, Φ 16mm, NL=137mm AFTF-25 : stainless steel, Φ 16mm, NL=88.5mm
CABLE GLAND	M16x1.5, max. inner diameter 10.4mm
PROTECTION TYPE	IP65 [according to EN 60529] enclosure only
ELECTRICAL CONNECTION	3-, or 4-wire connection 0.14 - 1.5 mm ² , via terminal screws on circuit board
PROCESS CONNECTION	by screws

Temperature measuring ranges [Adjustable]	DIP 1	DIP 2
-35 ... +75 °C	ON	ON
-35 ... +35 °C	OFF	OFF
0 ... +50 °C	OFF	ON
0 ... +80 °C	ON	OFF



AFTF-20
with display



AFTF-20
without display



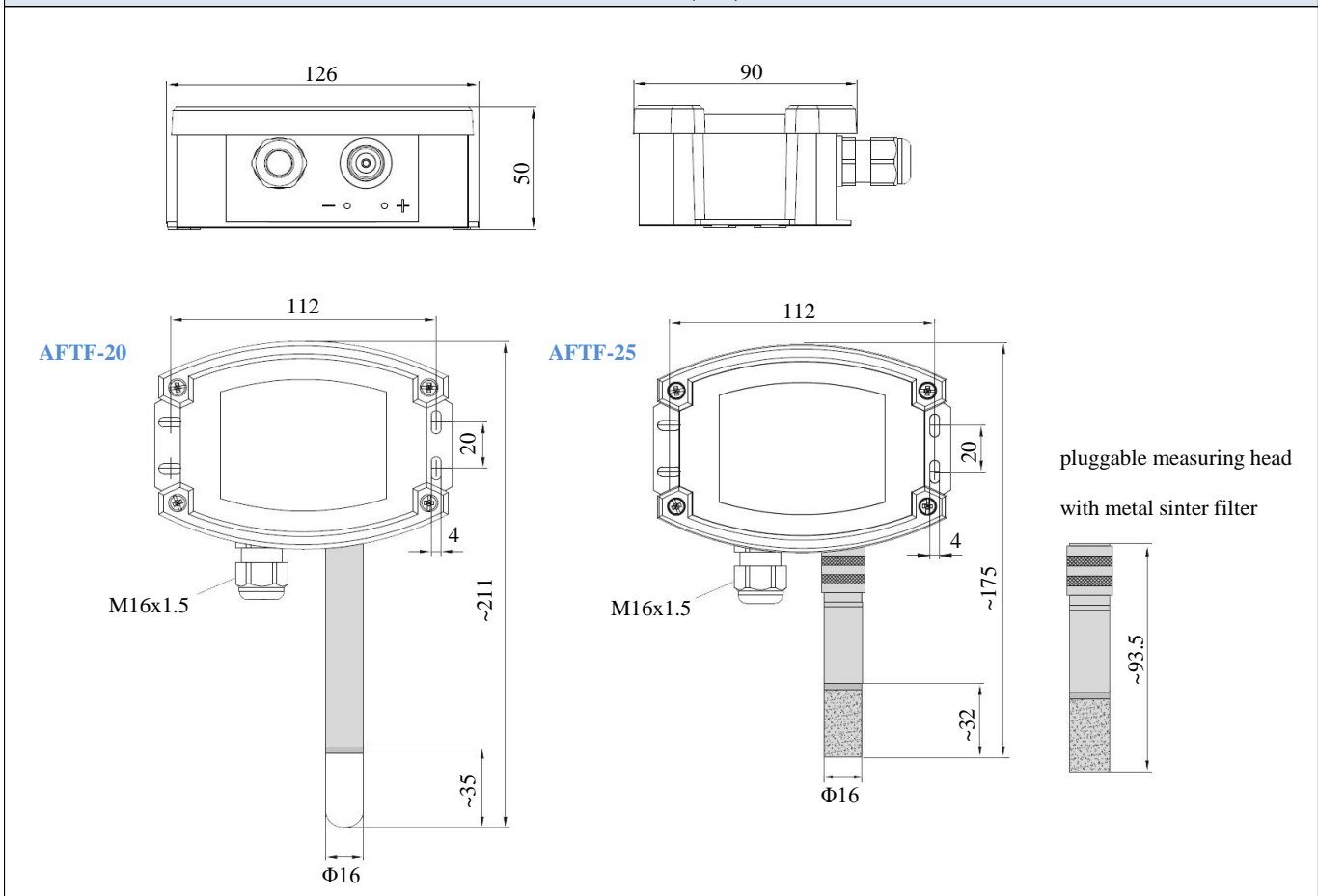
AFTF-25
with display



AFTF-25
without display

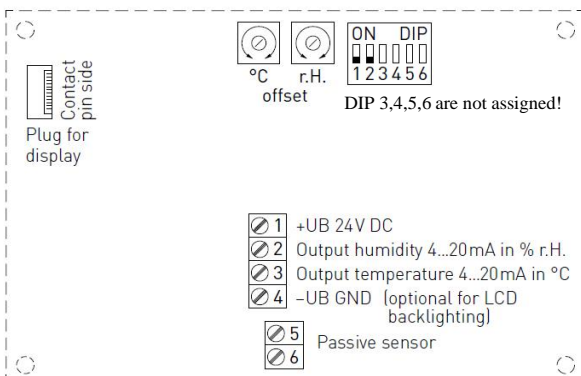
DIMENSION (mm)

※ 제품의 사양에 따라 변경 될 수 있습니다



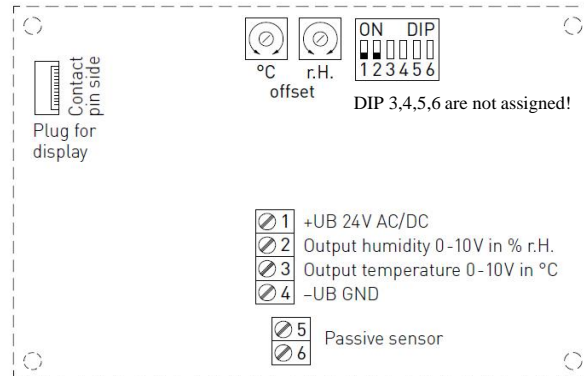
DIAGRAM

4-20mA 3 or 4-wire



- 1 +UB 24V DC
- 2 Output humidity in % r.H. 4-20mA
- 3 Output temperature in °C 4-20mA
- 4 -UB-GND [optional for backlighting]

0-10V 4-wire



- 1 +UB 24V DC
- 2 Output humidity in % r.H. 0-10V
- 3 Output temperature in °C 0-10V
- 4 -UB-GND

| CO2 | HUMIDITY | TEMPERATURE | AC | DC | BATTERY | OUTPUT | CONTACT | DISPLAY

Ordering Information

Code	Model
AFTF-20	AFTF-20
AFTF-25	AFTF-25

Code	Output
I	4-20mA
U	0~10VDC

Code	Display
1	Without
2	With

Complete Ordering Code

TYPE & IMAGE



AFTF-20-I-1
AFTF-20-U-1



AFTF-20-I-2
AFTF-20-U-2



AFTF-25-I-1
AFTF-25-U-1



AFTF-25-I-2
AFTF-25-U-2

| CO2 | HUMIDITY | TEMPERATURE | AC | DC | BATTERY | OUTPUT | CONTACT | DISPLAY