

AFTF

On-wall humidity and temperature sensor

RANGE

0~95 %
-30~80 °C

POWER

15 ... 36
V DC

OUTPUT

4-20mA
0~10V

SPECIFICATION

MODEL	AFTF
OUTPUT	DC4-20mA 0-10V
POWER	15 to 36V DC
MEASURING RANGE	Humidity : 0 to 100% r.H. Temperature : -35 to 80 °C
OPERATING RANGE	Humidity : 0 to 95% r.H. [non-precipitating air] Temperature : -30 to 80 °C
DEVIATION	Humidity : typically ±2% r.H. [20...80%] at +25 °C, otherwise ±3% r.H. Temperature : typically ±0.4K at +25 °C
AMBIENT TEMPERATURE	-30 ... +80 °C, non-precipitating
SENSOR PROTECTION	plastic sinter filter, Φ 16mm, L=35mm, exchangeable metal sinter filter, Φ 16mm, L=32mm*
PROTECTIVE TUBE	stainless steel, Φ 16mm, NL=55mm
CABLE GLAND	M16x1.5, max. inner diameter 10.4mm
PROTECTION TYPE	IP65 [according to EN 60529] enclosure only
ELECTRICAL CONNECTION	3-, or 4-wire connection 0.14 - 1.5 mm ² , via terminal screws on circuit board
PROCESS CONNECTION	by screws

*=Optional

Temperature measuring ranges [Adjustable]	DIP 1	DIP 2
-35 ... +75 °C	ON	ON
-35 ... +35 °C	OFF	OFF
0 ... +50 °C	OFF	ON
0 ... +80 °C	ON	OFF

Approvals



Messtechnik
Made in Germany



with display



without display

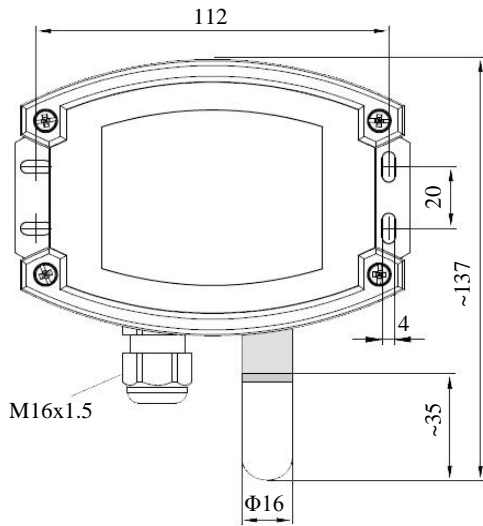
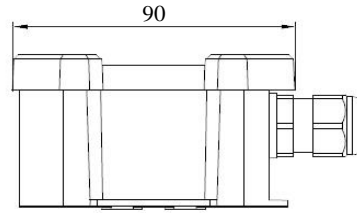
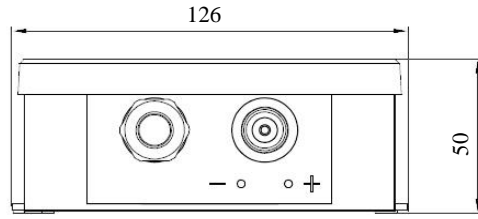


Metal sinter filter
[optional]

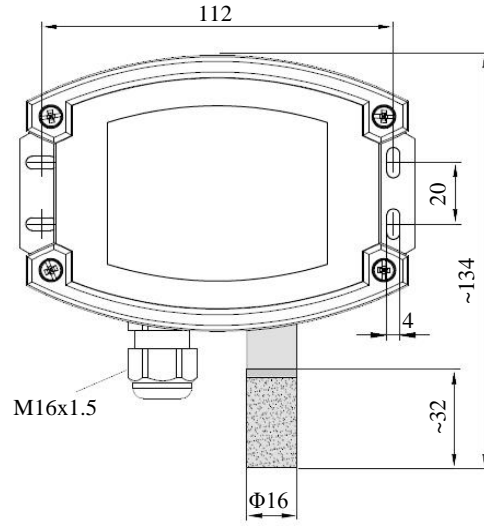
| CO2 | HUMIDITY | TEMPERATURE | AC | DC | BATTERY | OUTPUT | CONTACT | DISPLAY |

DIMENSION (mm)

※ 제품의 사양에 따라 변경 될 수 있습니다



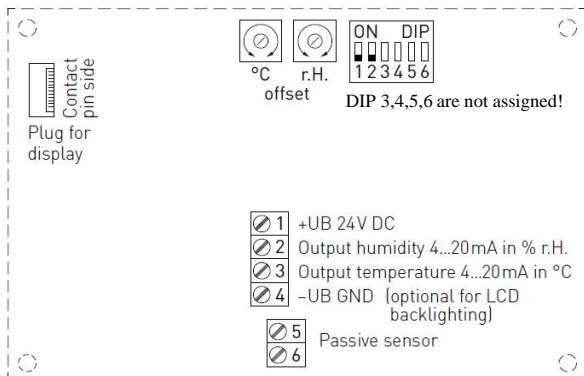
with plastic sinter filter
[standard]



with metal sinter filter
[optional]

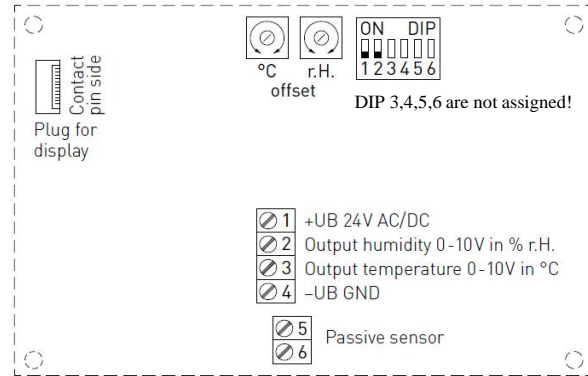
DIAGRAM

4-20mA 3 or 4-wire



- ① +UB 24V DC
- ② Output humidity in % r.H. 4-20mA
- ③ Output temperature in °C 4-20mA
- ④ -UB-GND [optional for backlighting]

0-10V 4-wire



- ① +UB 24V DC
- ② Output humidity in % r.H. 0-10V
- ③ Output temperature in °C 0-10V
- ④ -UB-GND

| CO2 | HUMIDITY | TEMPERATURE | AC | DC | BATTERY | OUTPUT | CONTACT | DISPLAY |

Ordering Information

AFTF	Model						
	<table border="1"> <thead> <tr> <th>Code</th> <th>Output</th> </tr> </thead> <tbody> <tr> <td>I</td> <td>4-20mA</td> </tr> <tr> <td>U</td> <td>0~10VDC</td> </tr> </tbody> </table>	Code	Output	I	4-20mA	U	0~10VDC
Code	Output						
I	4-20mA						
U	0~10VDC						
	<table border="1"> <thead> <tr> <th>Code</th> <th>Display</th> </tr> </thead> <tbody> <tr> <td>1</td> <td>Without</td> </tr> <tr> <td>2</td> <td>With</td> </tr> </tbody> </table>	Code	Display	1	Without	2	With
Code	Display						
1	Without						
2	With						
	<table border="1"> <thead> <tr> <th>Code</th> <th>Sinter Filter</th> </tr> </thead> <tbody> <tr> <td>1</td> <td>Plastic [std.]</td> </tr> <tr> <td>2</td> <td>Metal</td> </tr> </tbody> </table>	Code	Sinter Filter	1	Plastic [std.]	2	Metal
Code	Sinter Filter						
1	Plastic [std.]						
2	Metal						
AFTF	<div style="display: flex; align-items: center; gap: 10px;"> <div style="border: 1px solid black; width: 40px; height: 20px;"></div> <div style="border: 1px solid black; width: 40px; height: 20px;"></div> <div style="border: 1px solid black; width: 40px; height: 20px;"></div> <div style="border: 1px solid black; width: 40px; height: 20px;"></div> </div> <p style="text-align: center;">Complete Ordering Code</p>						

TYPE & IMAGE

		
<p>AFTF-I-1-1 AFTF-U-1-1</p>	<p>AFTF-I-2-1 AFTF-U-2-1</p>	<p>metal sinter filter [Optional]</p>

| CO2 | HUMIDITY | TEMPERATURE | AC | DC | BATTERY | OUTPUT | CONTACT | DISPLAY