

AFF

On-wall humidity sensor

Approvals



Messtechnik
Made in Germany

RANGE

0~95 %

POWER

15 ... 36
V DC

OUTPUT

4-20mA
0~10V

SPECIFICATION

MODEL	AFF	
OUTPUT	DC4-20mA : 2 or 3-wire [3-wire for LCD backlight]	0-10V : 3-wire
POWER	15 to 36V DC	
MEASURING RANGE	0 to 100% r.H.	
OPERATING RANGE	0 to 95% r.H. [non-precipitating air]	
DEVIATION	typically $\pm 2\%$ r.H. [20...80%] at +25 °C, otherwise $\pm 3\%$ r.H.	
AMBIENT TEMPERATURE	-30 ... +80 °C, non-precipitating	
SENSOR PROTECTION	plastic sinter filter, Φ 16mm, L=35mm, exchangeable metal sinter filter, Φ 16mm, L=32mm*	
PROTECTIVE TUBE	stainless steel, Φ 16mm, NL=55mm	
CABLE GLAND	M16x1.5, max. inner diameter 10.4mm	
PROTECTION TYPE	IP65 [according to EN 60529] enclosure only	
ELECTRICAL CONNECTION	2-, or 3-wire connection 0.14 - 1.5 mm ² , via terminal screws on circuit board	
PROCESS CONNECTION	by screws	

*=Optional



with display



without display



Metal sinter filter
[optional]

DIAGRAM

4-20mA 2 or 3-wire

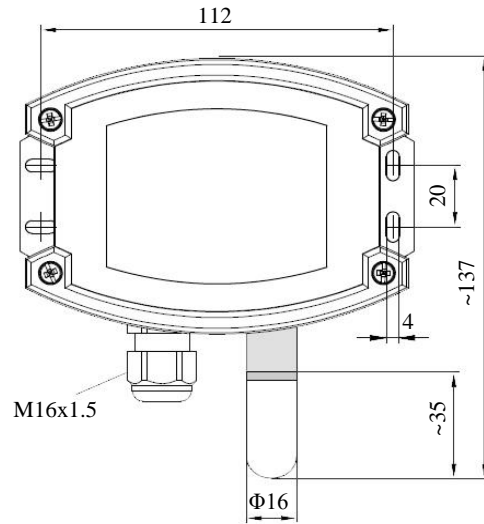
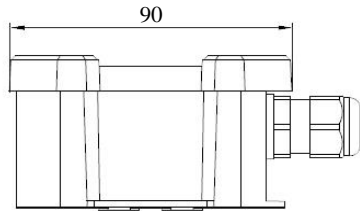
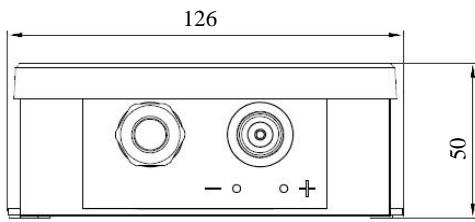
1	+UB 24V DC
2	Output humidity in % r.H. 4-20mA
3	Free
4	-UB-GND [optional for backlighting]

0-10V 3-wire

1	+UB 24V DC
2	Output humidity in % r.H. 0-10V
3	Free
4	-UB-GND

DIMENSION (mm)

※ 제품의 사양에 따라 변경 될 수 있습니다



with plastic sinter filter
[standard]

Ordering Information

AFF	Model						
	<table border="1"> <thead> <tr> <th>Code</th> <th>Output</th> </tr> </thead> <tbody> <tr> <td>I</td> <td>4-20mA</td> </tr> <tr> <td>U</td> <td>0~10VDC</td> </tr> </tbody> </table>	Code	Output	I	4-20mA	U	0~10VDC
Code	Output						
I	4-20mA						
U	0~10VDC						
	<table border="1"> <thead> <tr> <th>Code</th> <th>Display</th> </tr> </thead> <tbody> <tr> <td>1</td> <td>Without</td> </tr> <tr> <td>2</td> <td>With</td> </tr> </tbody> </table>	Code	Display	1	Without	2	With
Code	Display						
1	Without						
2	With						
	<table border="1"> <thead> <tr> <th>Code</th> <th>Sinter Filter</th> </tr> </thead> <tbody> <tr> <td>1</td> <td>Plastic [std.]</td> </tr> <tr> <td>2</td> <td>Metal</td> </tr> </tbody> </table>	Code	Sinter Filter	1	Plastic [std.]	2	Metal
Code	Sinter Filter						
1	Plastic [std.]						
2	Metal						
AFF	Complete Ordering Code						

TYPE & IMAGE



AFF-I-1-1
AFF-U-1-1



AFF-I-2-1
AFF-U-2-1



metal sinter filter [Optional]