

# ATM 2

## OUTSIDE TEMPERATURE TRANSMITTER

Approvals



Messtechnik  
Made in Germany

RANGE

-30 ...  
70 °C

SENSOR

PT  
1000

OUTPUT

4-20mA  
0~10V

### SPECIFICATION

<b>MODEL</b>	ATM 2		
<b>OUTPUT</b>	DC4-20mA	: 2 or 3-wire [ 3-wire for LCD backlight ]	
	0-10V	: 3-wire	
<b>POWER</b>	DC4-20mA	: 15 to 36V DC	
	0-10V	: 24V DC	
<b>DEVIATION</b>	typically $\pm 0.2K$ at $+25^{\circ}C$		
<b>SENSOR</b>	Pt1000, DIN EN 60751, class B		
<b>INSTALLATION</b>	2x screw $\Phi 4$ mm at a distance of 39mm x 49mm		
<b>ELECTRICAL CONNECTION</b>	0.14 - 1.5mm <sup>2</sup> via terminal screws		
<b>CABLE GLAND</b>	M16x1.5, max. inner diameter 10.4mm		
<b>OPERATING TEMPERATURE</b>	-30 to 70°C		
<b>AIR HUMIDITY</b>	< 95%r.H., non-precipitating air		
<b>PROTECTION TYPE</b>	IP65 [ according to EN 60529 ]		
<b>OPTION</b>	with sunshade SS02*		
<b>MEASURING RANGE</b>	8 switchable measuring ranges, see table		

with display



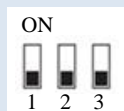
without display



| FLOW | | PRESSURE | | TEMPERATURE | | AC | | DC | | BATTERY | | OUTPUT | | CONTACT | | DISPLAY |

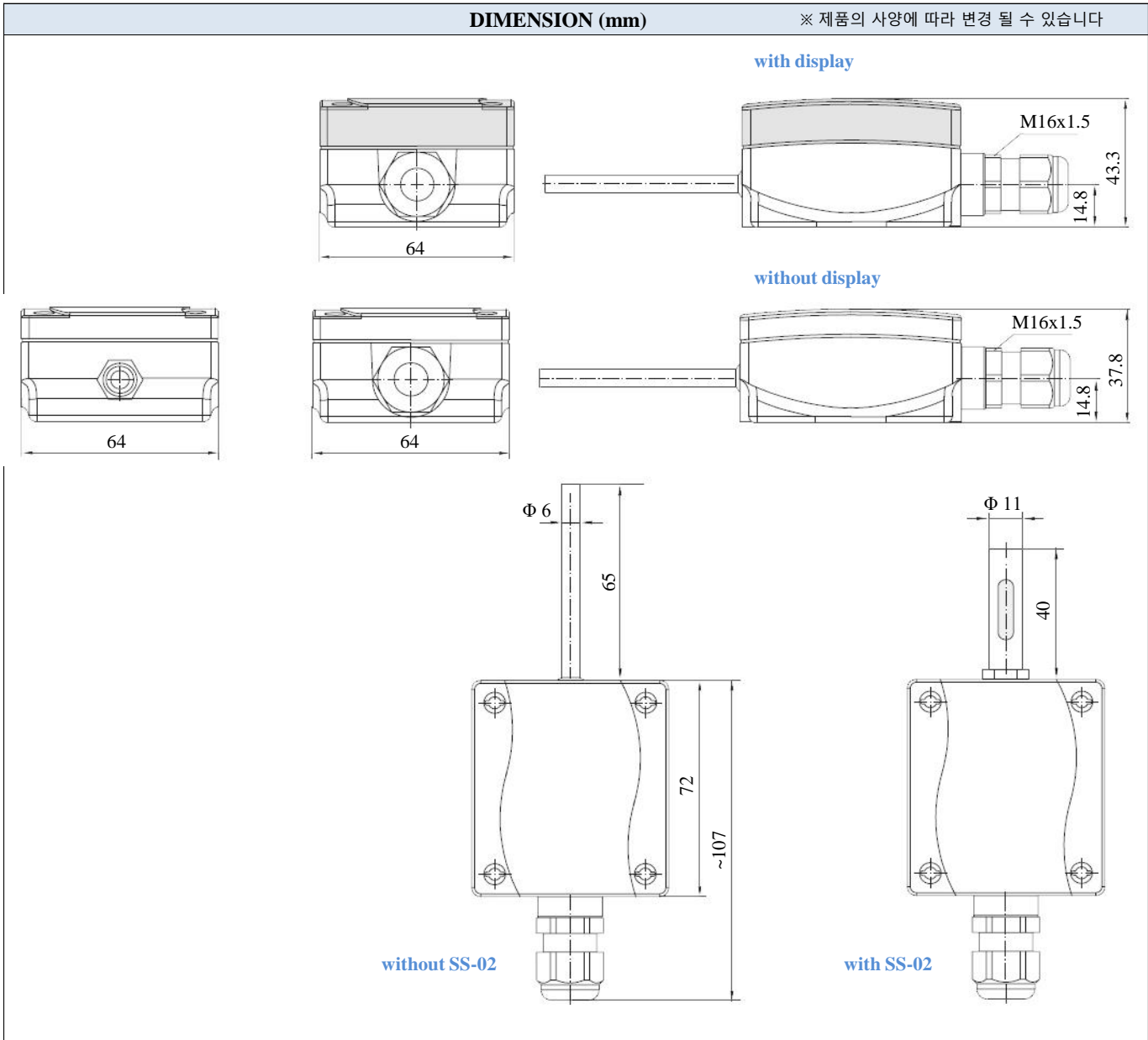
Measuring ranges [ Adjustable ]	DIP 1	DIP 2	DIP 3
-20 ... +150 °C	ON	ON	ON
-50 ... +50 °C	OFF	ON	ON
-20 ... +80 °C	ON	OFF	ON
-30 ... +60 °C	OFF	OFF	ON
0 ... +40 °C	ON	ON	OFF
0 ... +50 °C	OFF	ON	OFF
0 ... +100 °C	ON	OFF	OFF
0 ... +150 °C	OFF	OFF	OFF

DIP switches  
Measuring range changeover

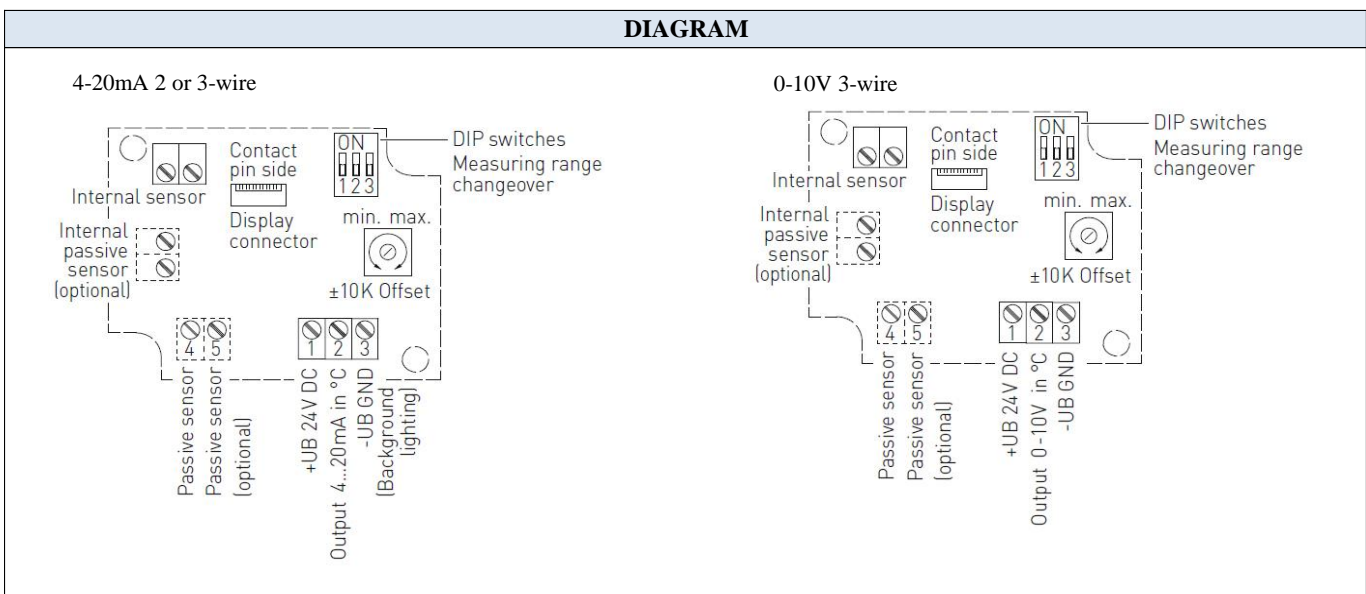


### DIMENSION (mm)

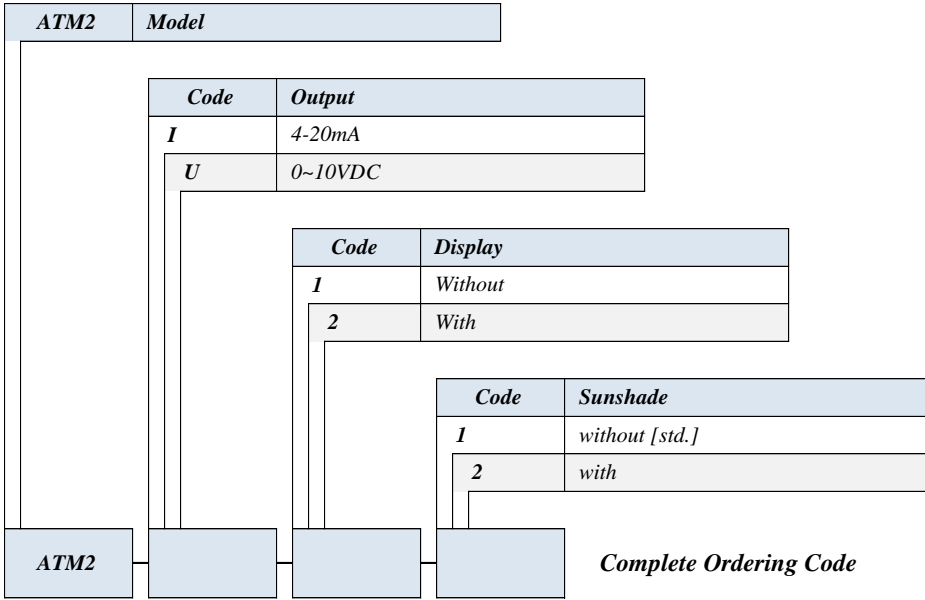
※ 제품의 사양에 따라 변경 될 수 있습니다



### DIAGRAM



### Ordering Information



### TYPE & IMAGE



ATM2-I-1-1  
ATM2-U-1-1



ATM2-I-2-1  
ATM2-U-2-1



with SS02  
[ optional ]

with sunshade

| FLOW | | PRESSURE | | TEMPERATURE | | AC | | DC | | BATTERY | | OUTPUT | | CONTACT | | DISPLAY |