

TMFC

MASS FLOW CONTROLLER

Approvals:



CONNECTION

1/2"NPT
Female Thread

FLOW RANGE (N₂)

0...100 SLM
↓
0...200 SLM

MEDIA

Non Corrosive
Dry Gases

SPECIFICATION

MODEL	TMFC
APPLICATION	Non Corrosive Dry Gases
FLOW RANGE	0 ~ 100 SLM ... 0 ~ 200 SLM
PROCESS CONNECTION	1/2"NPT Female Thread
ACCURACY / REPEATABILITY	< 1% F.S. / < 0.15% F.S.
RESPONSE TIME	< 1 Second
WETTED MATERIALS	Body - SS316 O-Ring - Viton / FFKM
OUTPUT SIGNAL	DC4-20mA / DC0~5V
CONTROL SIGNAL	Integral (manual operating by set point) DC0~5V (from a remote source)
PRESSURE LIMIT	34.4 Bar
GAS TEMPERATURE	0...50°C
POWER	24VDC
ELECTRIC CONNECTOR	9 Pin D-Sub
FLOW DIRECTION	Left to Right



| FLOW | | PRESSURE | | TEMPERATURE | | AC | | DC | | BATTERY | | CONTACT | | DISPLAY |

DISPLAY

Code W



Code B



Code T



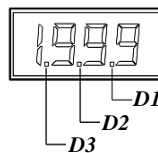
Code O



Code	Display
W	Flow Rate with LCD
B	Flow Rate with Blue Back-Lighted LCD
T	Flow Rate & Totalizer with Blue Back-Lighted LCD
O	Without LCD

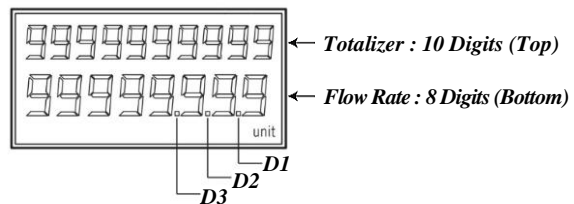
DECIMAL POINT

Flow Rate with LCD

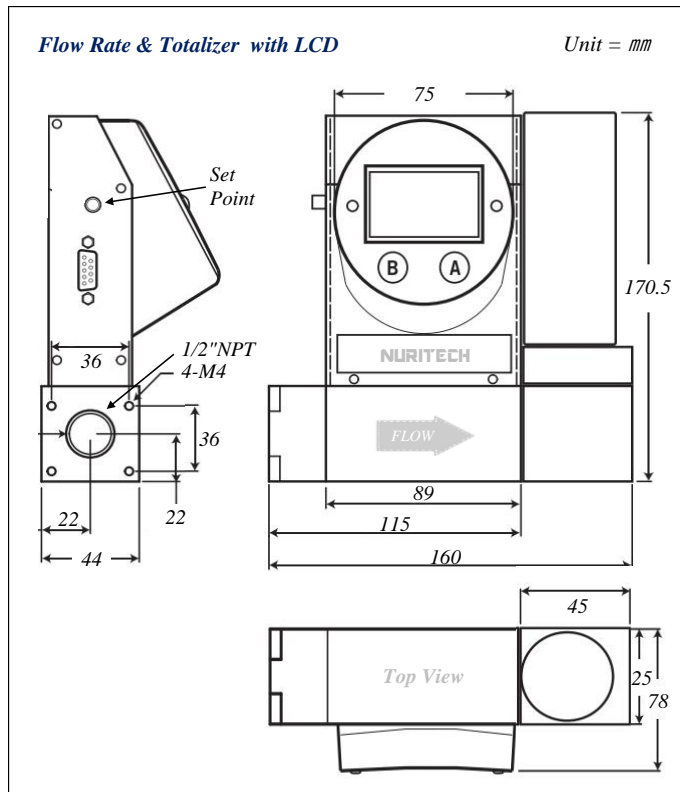
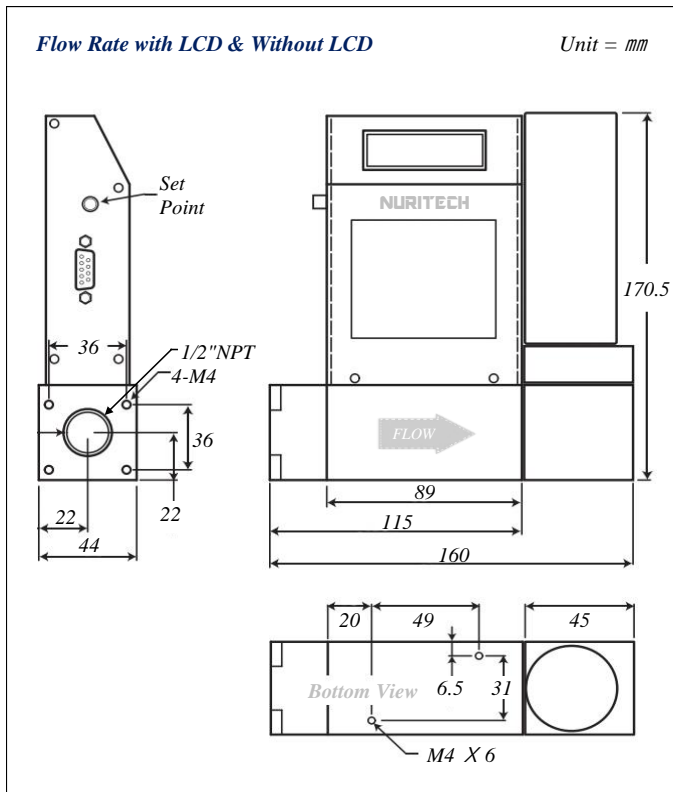


Range	Decimal Point
0 ~ 1.999	D3
2.00 ~ 19.99	D2
20.0 ~ 199.9	D1
200 ~ 1999	None

Flow Rate & Totalizer with LCD



DIMENSION




GAS FACTOR TABLE

* Please contact us the K Factor value of other gases

Actual Gas	Symbol	K Factor Relative to N ₂	Actual Gas	Symbol	K Factor Relative to N ₂	Actual Gas	Symbol	K Factor Relative to N ₂
Acetylene	C ₂ H ₂	0.58	Ethanol	C ₂ H ₆ O	0.39	Methanol	CH ₃ OH	0.58
Air	-	1.00	Ethyl Acetylene	C ₄ H ₆	0.32	Methyl Acetylene	C ₃ H ₄	0.43
Ammonia	NH ₃	0.74	Ethyl Chloride	C ₂ H ₅ Cl	0.39	Methyl Bromide	CH ₃ Br	0.58
Argon	Ar	1.42	Ethylene	C ₂ H ₄	0.60	Methyl Chloride	CH ₃ Cl	0.63
Bromine	Br ₂	0.81	Helium	He	1.43	Nitric Oxide	NO	1.00
Butane	C ₄ H ₁₀	0.26	Hexane	C ₆ H ₁₄	0.18	Nitrogen Dioxide	NO ₂	0.74
I-Butane	C ₄ H ₈	0.30	Hydrogen	H ₂	1.01	Nitrous Oxide	N ₂ O	0.71
Carbon Dioxide	CO ₂	0.74	Hydrogen Bromide	HBr	1.00	Oxygen	O ₂	0.99
Carbon Monoxide	CO	1.00	Hydrogen Chloride	HCl	1.00	Propane	C ₃ H ₈	0.36
Carbonyl Sulfide	COS	0.66	Hydrogen Sulfide	H ₂ S	0.80	Propylene	C ₃ H ₆	0.41
Chlorine	Cl ₂	0.86	Isobutane	CH(CH ₃) ₃	0.20	Silane	SiH ₄	0.60
Dimethyl Ether	(CH ₃) ₂ O	0.39	Isobutylene	C ₄ H ₈	0.30	Sulfur Dioxide	SO ₂	0.69
Ethane	C ₂ H ₆	0.50	Methane	CH ₄	0.72	Sulfur Hexafluoride	SF ₆	0.26

RELATED PRODUCTS

Model	Display	Input	Output	Power
 <p>FDI Flow Indicator</p>	4-Digit Red LED Flow Rate only	DC4-20mA	DC4-20mA 2-Relay DC1~5V RS485(optional)	DC24V AC220V

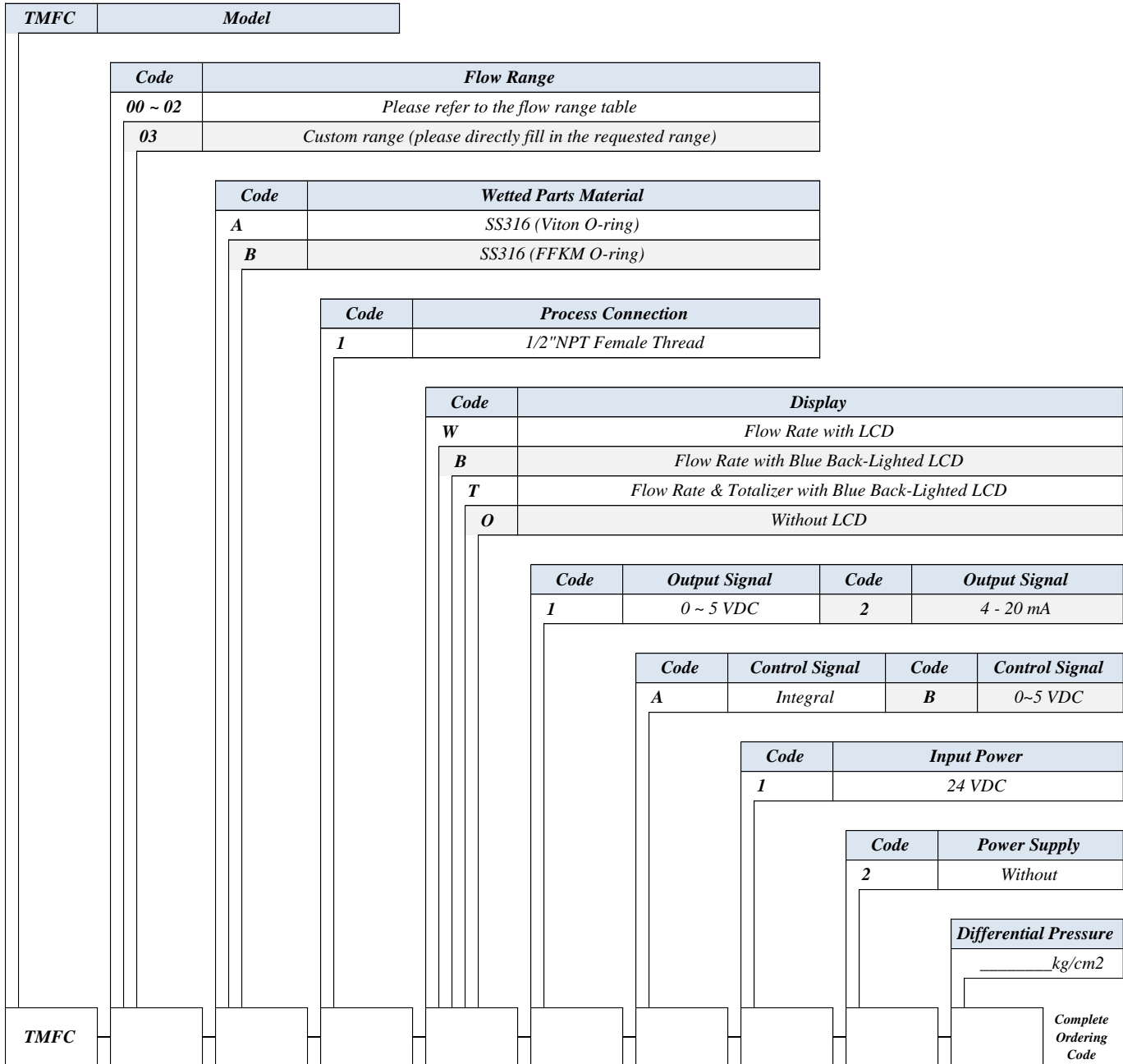
FLOW RANGE (N₂)

* Flow rates are stated for Nitrogen

* For other gases use the K factor as a multiplier from gas factor table

Code	Range	Code	Range	Code	Range	Code	Range
00	0 ~ 100 SLM	01	0 ~ 150 SLM	02	0 ~ 200 SLM	03	Custom Flow Rate (≤ 200 SLM)

ORDERING INFORMATION



* Operating Differential Pressure 2 ~ 3 kg/cm²

* Gas Name _____ Temperature ____°C (Normal)

FLOW | PRESSURE | TEMPERATURE | AC | DC | BATTERY | OUTPUT | CONTACT | DISPLAY