

Approvals:



CONNECTION

1/2"NPT
Female Thread

FLOW RANGE (N₂)

0 ~ 250 SLM
↓
0 ~ 600 SLM

FLUID

Non-Corrosive
Dry Gases

SPECIFICATION

MODEL	THF
APPLICATION	Non-Corrosive Dry Gases
FLOW RANGE	0 ~ 250 SLM ... 0 ~ 600 SLM
PROCESS CONNECTION	1/2"NPT Female Thread
ACCURACY	< 1% F.S. / < 2% F.S.
REPEATABILITY	< 0.15% F.S.
RESPONSE TIME	< 1 Second
MATERIAL	Body : SS316 O-Ring : Viton / FFKM
OUTPUT SIGNAL	DC4-20mA / DC0-5V
MAX. PRESSURE	34.4 Bar
GAS TEMPERATURE	0 ... 50°C
POWER SUPPLY	24VDC / 15VDC
ELECTRIC CONNECTOR	9 Pin D-Sub
FLOW DIRECTION	Left to Right / Bottom to Top / Top to Bottom



DISPLAY

Code B



Code T



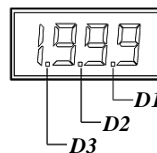
Code O



Code	Display
B	Flow Rate with Blue Back-Lighted LCD
T	Flow Rate & Totalizer with Blue Back-Lighted LCD
O	Without LCD

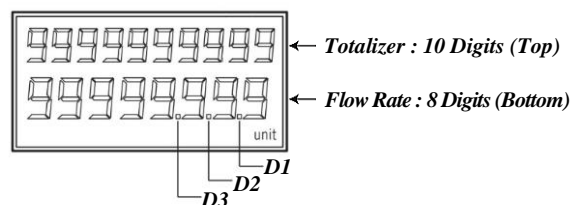
DECIMAL POINT

Flow Rate with LCD



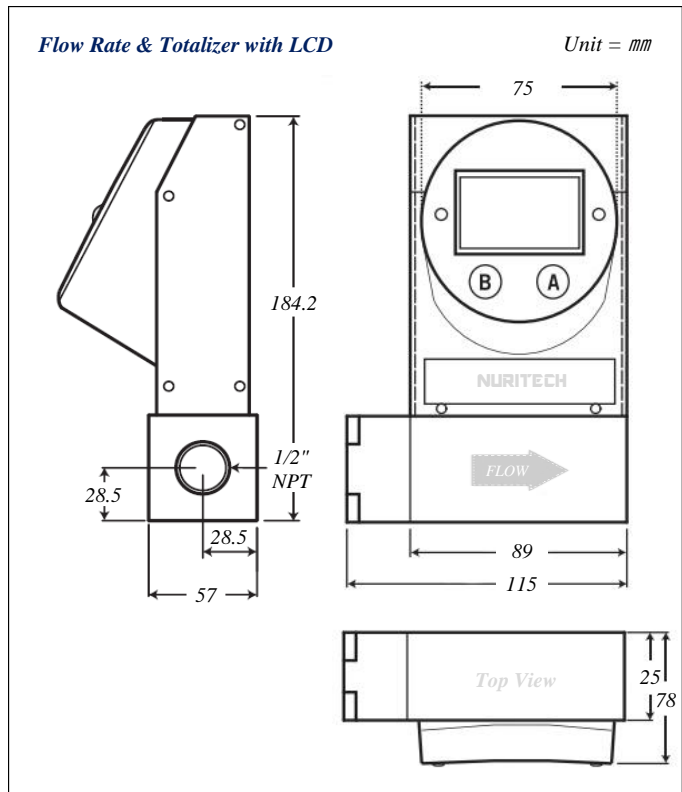
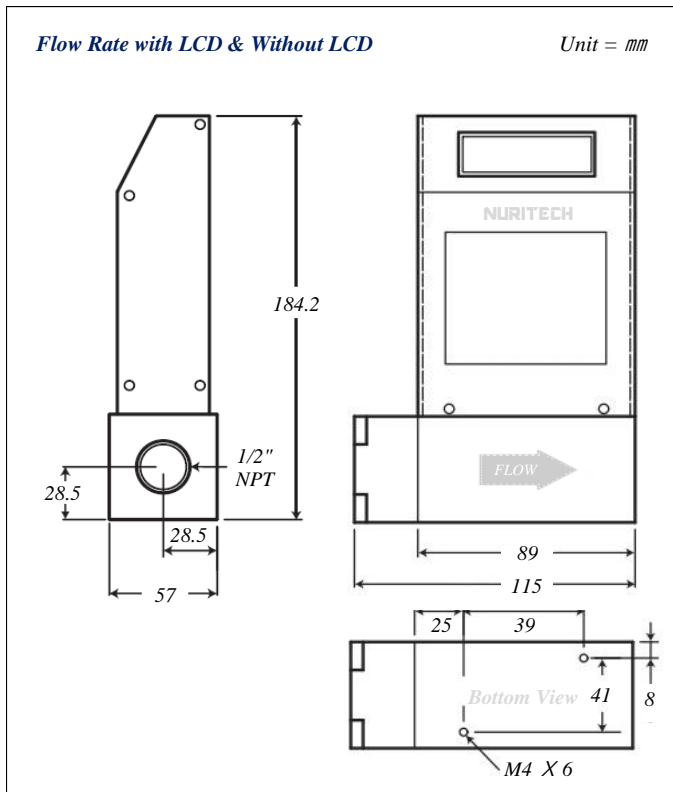
Range	Decimal Point
0 ~ 1.999	D3
2.00 ~ 19.99	D2
20.0 ~ 199.9	D1
200 ~ 1999	None

Flow Rate & Totalizer with LCD



FLOW | PRESSURE | TEMPERATURE | AC | DC | BATTERY | CONTACT | DISPLAY

DIMENSION





GAS FACTOR TABLE

* Please contact us the K Factor value of other gases

Actual Gas	Symbol	K Factor Relative to N ₂	Actual Gas	Symbol	K Factor Relative to N ₂	Actual Gas	Symbol	K Factor Relative to N ₂
Acetylene	C ₂ H ₂	0.58	Ethanol	C ₂ H ₆ O	0.39	Methyl Acetylene	C ₃ H ₄	0.43
Air	-	1.00	Ethyl Acetylene	C ₄ H ₆	0.32	Methyl Bromide	CH ₃ Br	0.58
Ammonia	NH ₃	0.74	Ethyl Chloride	C ₂ H ₅ Cl	0.39	Methyl Chloride	CH ₃ Cl	0.63
Argon	Ar	1.42	Ethylene	C ₂ H ₄	0.60	Nitric Oxide	NO	1.00
Bromine	Br ₂	0.81	Helium	He	1.43	Nitrogen	N ₂	1.00
Butane	C ₄ H ₁₀	0.26	Hexane	C ₆ H ₁₄	0.18	Nitrogen Dioxide	NO ₂	0.74
I-Butane	C ₄ H ₈	0.30	Hydrogen	H ₂	1.01	Nitrous Oxide	N ₂ O	0.71
Carbon Dioxide	CO ₂	0.74	Hydrogen Bromide	HBr	1.00	Oxygen	O ₂	0.99
Carbon Monoxide	CO	1.00	Hydrogen Chloride	HCl	1.00	Propane	C ₃ H ₈	0.36
Carbonyl Sulfide	COS	0.66	Hydrogen Sulfide	H ₂ S	0.80	Propylene	C ₃ H ₆	0.41
Chlorine	Cl ₂	0.86	Isobutane	CH(CH ₃) ₃	0.20	Silane	SiH ₄	0.60
Dimethyl Ether	(CH ₃) ₂ O	0.39	Isobutylene	C ₄ H ₈	0.30	Sulfur Dioxide	SO ₂	0.69
Ethane	C ₂ H ₆	0.50	Methane	CH ₄	0.72	Sulfur Hexafluoride	SF ₆	0.26

RELATED PRODUCTS

Model	Display	Input	Output	Power Supply
 <p>FCS Flow Indicator</p>	2 Lines Back-Lighted LCD Flow Rate & Totalizer	DC4-20mA	DC4-20mA Pulse RS485	24VDC
 <p>FDI Flow Indicator</p>	4-Digit Red LED Flow Rate only	DC4-20mA	DC4-20mA 2-Relay DC1~5V RS485	24VDC AC110/220V

FLOW RANGE (N₂)

* Flow rates are stated for Nitrogen

* For other gases use the K factor as a multiplier from gas factor table

Code	Flow Range	Accuracy
00	0 ~ 250 SLM	< 1.0 % F.S.
01	0 ~ 300 SLM	< 1.0 % F.S.
02	0 ~ 400 SLM	< 1.0 % F.S.
03	0 ~ 500 SLM	< 1.0 % F.S.
04	0 ~ 600 SLM	< 2.0 % F.S.
05	Custom Flow Rate (≤ 600 SLM)	

ORDERING INFORMATION

THF	Model							
THF	<table border="1"> <thead> <tr> <th>Code</th> <th>Flow Range</th> </tr> </thead> <tbody> <tr> <td>00 ~ 04</td> <td>Please refer to the flow range table</td> </tr> <tr> <td>05</td> <td>Custom range (please directly fill in the requested range)</td> </tr> </tbody> </table>	Code	Flow Range	00 ~ 04	Please refer to the flow range table	05	Custom range (please directly fill in the requested range)	
	Code	Flow Range						
	00 ~ 04	Please refer to the flow range table						
	05	Custom range (please directly fill in the requested range)						
	<table border="1"> <thead> <tr> <th>Code</th> <th>Wetted Parts Material</th> </tr> </thead> <tbody> <tr> <td>A</td> <td>SS316 (Viton O-ring)</td> </tr> <tr> <td>B</td> <td>SS316 (FFKM O-ring)</td> </tr> </tbody> </table>	Code	Wetted Parts Material	A	SS316 (Viton O-ring)	B	SS316 (FFKM O-ring)	
	Code	Wetted Parts Material						
	A	SS316 (Viton O-ring)						
	B	SS316 (FFKM O-ring)						
	<table border="1"> <thead> <tr> <th>Code</th> <th>Process Connection</th> </tr> </thead> <tbody> <tr> <td>1</td> <td>1/2"NPT Female Thread</td> </tr> </tbody> </table>	Code	Process Connection	1	1/2"NPT Female Thread			
	Code	Process Connection						
	1	1/2"NPT Female Thread						
	<table border="1"> <thead> <tr> <th>Code</th> <th>Display</th> </tr> </thead> <tbody> <tr> <td>B</td> <td>Flow Rate with Blue Back-Lighted LCD</td> </tr> <tr> <td>T</td> <td>Flow Rate & Totalizer with Blue Back-Lighted LCD</td> </tr> <tr> <td>O</td> <td>Without LCD</td> </tr> </tbody> </table>	Code	Display	B	Flow Rate with Blue Back-Lighted LCD	T	Flow Rate & Totalizer with Blue Back-Lighted LCD	O
Code	Display							
B	Flow Rate with Blue Back-Lighted LCD							
T	Flow Rate & Totalizer with Blue Back-Lighted LCD							
O	Without LCD							
<table border="1"> <thead> <tr> <th>Code</th> <th>Output Signal</th> <th>Code</th> <th>Output Signal</th> </tr> </thead> <tbody> <tr> <td>1</td> <td>0 ~ 5 VDC</td> <td>2</td> <td>4 - 20 mA</td> </tr> </tbody> </table>	Code	Output Signal	Code	Output Signal	1	0 ~ 5 VDC	2	4 - 20 mA
Code	Output Signal	Code	Output Signal					
1	0 ~ 5 VDC	2	4 - 20 mA					
<table border="1"> <thead> <tr> <th>Code</th> <th>Input Power</th> <th>Code</th> <th>Input Power</th> </tr> </thead> <tbody> <tr> <td>1</td> <td>24 VDC</td> <td>2</td> <td>15 VDC</td> </tr> </tbody> </table>	Code	Input Power	Code	Input Power	1	24 VDC	2	15 VDC
Code	Input Power	Code	Input Power					
1	24 VDC	2	15 VDC					
<table border="1"> <thead> <tr> <th>Code</th> <th>Power Supply for 24 VDC</th> </tr> </thead> <tbody> <tr> <td>2</td> <td>Without</td> </tr> </tbody> </table>	Code	Power Supply for 24 VDC	2	Without				
Code	Power Supply for 24 VDC							
2	Without							
<table border="1"> <thead> <tr> <th>Code</th> <th>Flow Direction</th> </tr> </thead> <tbody> <tr> <td>LR</td> <td>Left to Right</td> </tr> <tr> <td>BT</td> <td>Bottom to Top</td> </tr> <tr> <td>TB</td> <td>Top to Bottom</td> </tr> </tbody> </table>	Code	Flow Direction	LR	Left to Right	BT	Bottom to Top	TB	Top to Bottom
Code	Flow Direction							
LR	Left to Right							
BT	Bottom to Top							
TB	Top to Bottom							
<div style="text-align: right;">Complete Ordering Code</div>								

* Gas Name _____ Pressure & Temperature _____ Bar.G _____ °C (Normal)

| FLOW | | PRESSURE | | TEMPERATURE | | AC | | DC | | BATTERY | | OUTPUT | | CONTACT | | DISPLAY |