

# SM & SA

FILLED TYPE THERMOMETER

Approvals:



RANGE

-200 ~ 50 ...  
**600 °C**

MOUNTING

**WALL  
&  
PANEL**

SIZE

**100  
&  
150**

## SPECIFICATION

<b>MODEL</b>	SM SA
<b>MOUNTING TYPE</b>	SM : Wall mounting SA : Panel mounting
<b>ACCURACY</b>	±1.0% F.S.
<b>MATERIALS</b>	Case, Cover, Stem, Screw : 316SS Flex tube : 304SS
<b>LENS MATERIAL</b>	Glass, Safety Glass*
<b>GAUGE OUTDIA</b>	100, 150mm
<b>CONNECTION</b>	1/4, 3/8, 1/2"NPT 1/4, 3/8, 1/2"PF
<b>STEM OUTDIA.</b>	6, 8, 10, 12mm
<b>MAX. CAPILLARY TUBE LENGTH</b>	Liquid Filled Type : 10M Gas Filled Type : 50M
<b>STEM LENGTH</b>	Max. 500mm * = Optional



**SM TYPE**  
( Wall mounting )

**SA TYPE**  
( Panel mounting )

## RANGE & INSERTION TABEL

### LIQUID FILLED TYPE

RANGE (°C)	Minor Division(°C)		Minimum Insertion Length (mm)			
	φ100	φ150	Outer Diameter of Stem			
			φ6	φ8	φ10	φ12
-30 ~ 50	1	1	135	91	53	37
-30 ~ 100	2	2	89	61	38	28
-10 ~ 50	1	1	175	116	66	45
-10 ~ 100	2	2	102	70	42	31
0 ~ 50	1	1	207	137	76	52
0 ~ 80	1	1	135	91	53	37
0 ~ 100	1	1	111	75	45	33
0 ~ 120	2	2	95	65	40	29
0 ~ 150	2	2	79	55	34	26
0 ~ 200	2	2	63	44	29	23
0 ~ 250	5	5	53	38	26	21
0 ~ 300	5	5	47	34	24	20
0 ~ 400	5	5	39	29	21	18

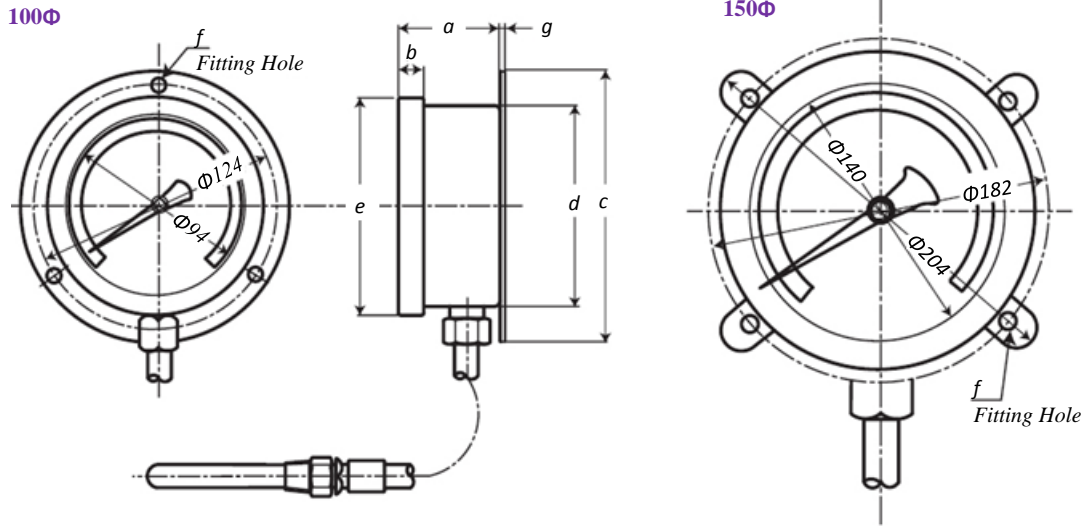
### GAS FILLED TYPE

RANGE (°C)	Minor Division(°C)		Min. Stem Length(mm)	
	φ100	φ150	φ10	φ12
-200 ~ 50	5	5	270	200
-200 ~ 100	5	5		
-200 ~ 150	5	5		
-200 ~ 200	5	5		
-100 ~ 100	2	2		
-100 ~ 150	5	5		
-100 ~ 200	5	5		
-50 ~ 300	5	5		
-50 ~ 400	5	5		
-50 ~ 500	10	10		
-50 ~ 600	10	10		
0 ~ 400	5	5		
0 ~ 500	10	10		
0 ~ 600	10	10		

| FLOW | | PRESSURE | | TEMPERATURE | | AC | | DC | | BATTERY | | OUTPUT | | CONTACT | | DISPLAY |

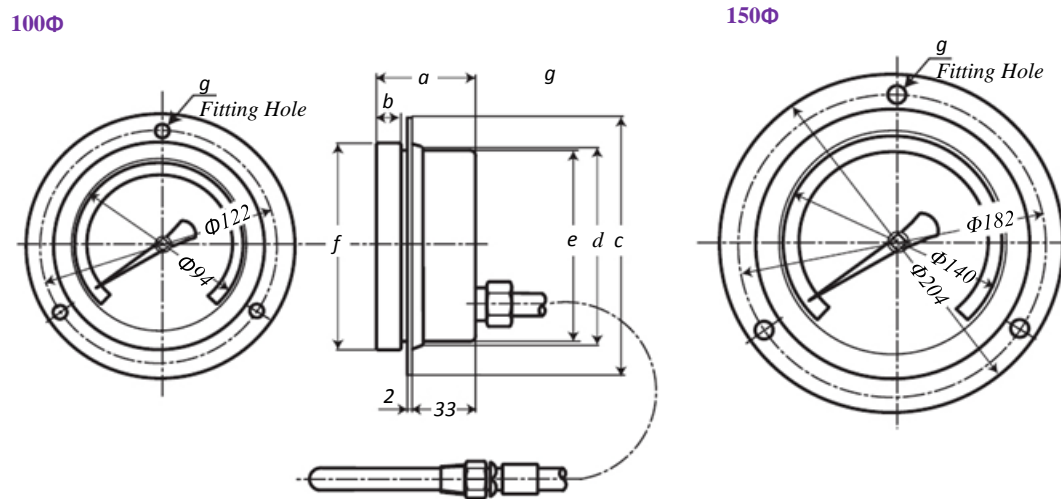
### DIMENSION (mm)

#### SM TYPE



	a	b	c	d	e	f	g
100Φ	51	13	138	102	113	3-Φ5.5	9
150Φ	52	15	204	153	165	4-Φ8.0	2

#### SA TYPE



	a	b	c	d	e	f	g
100Φ	54	13	134	107	102	113	3-Φ5.5
150Φ	54	15	204	153	153	165	3-Φ7.0

| FLOW |  
 | PRESSURE |  
 | TEMPERATURE |  
 | AC |  
 | DC |  
 | BATTERY |  
 | OUTPUT |  
 | CONTACT |  
 | DISPLAY |