

BA

BIMETAL THERMOMETER

RANGE

-50 ~ 50 ...

600 °C

MOUNTING

ADJUSTABLE

STEM LENGTH

Max.

500 mm

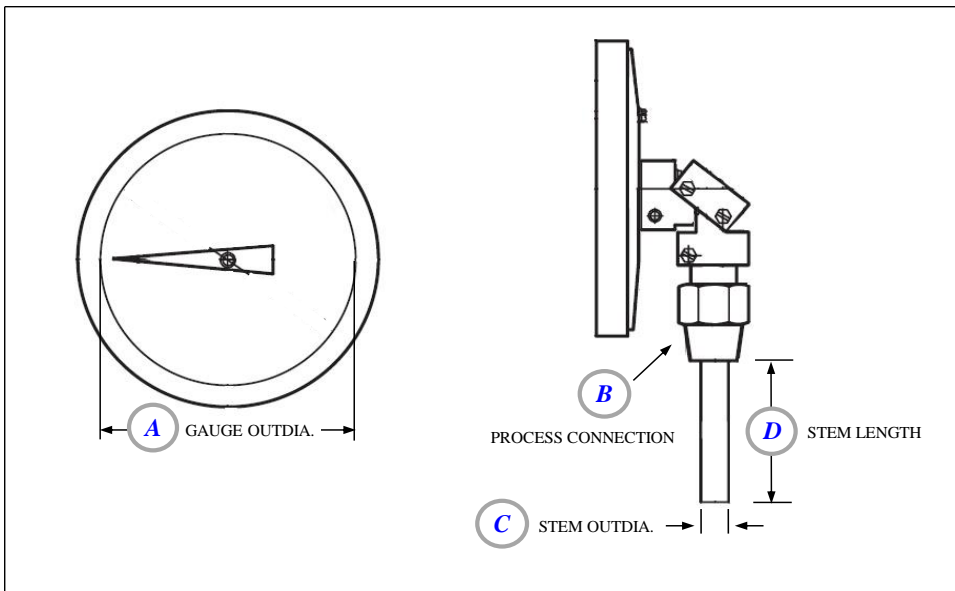


SPECIFICATION

MODEL	BA		
MOUNTING TYPE	Adjustable Stem		
MATERIALS	Case, Cover	: 304SS	
	Stem, Connection	: 304SS, 316SS*	
GAUGE OUTDIA	75, 100[std.], 125, 150mm		
CONNECTION	3/8", 1/2"[std.], 3/4", 1" PT, NPT		
STEM OUTDIA.	6.4[std.], 8, 10, 12mm		
STEM LENGTH	Max. 500mm		* = Optional

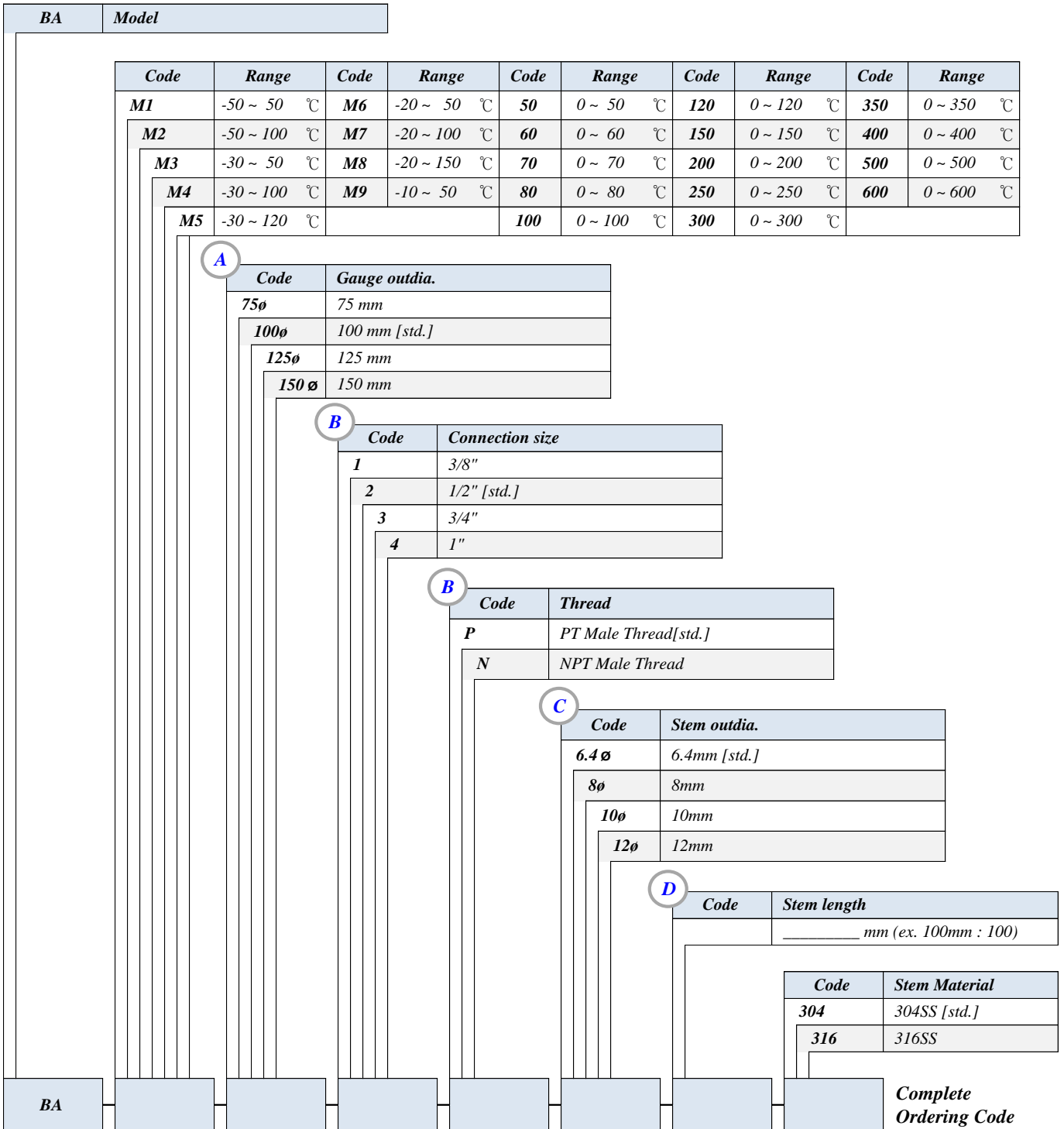
RANGE TABLE (Unit: °C)

CODE	RANGE	CODE	RANGE	CODE	RANGE	CODE	RANGE	CODE	RANGE
M1	-50 ~ 50 °C	M6	-20 ~ 50 °C	50	0 ~ 50 °C	120	0 ~ 120 °C	350	0 ~ 350 °C
M2	-50 ~ 100 °C	M7	-20 ~ 100 °C	60	0 ~ 60 °C	150	0 ~ 150 °C	400	0 ~ 400 °C
M3	-30 ~ 50 °C	M8	-20 ~ 150 °C	70	0 ~ 70 °C	200	0 ~ 200 °C	500	0 ~ 500 °C
M4	-30 ~ 100 °C	M9	-10 ~ 50 °C	80	0 ~ 80 °C	250	0 ~ 250 °C	600	0 ~ 600 °C
M5	-30 ~ 120 °C			100	0 ~ 100 °C	300	0 ~ 300 °C		



| FLOW | | PRESSURE | | TEMPERATURE | | AC | | DC | | BATTERY | | OUTPUT | | CONTACT | | DISPLAY |

Ordering Information



| FLOW | | PRESSURE | | TEMPERATURE | | AC | | DC | | BATTERY | | OUTPUT | | CONTACT | | DISPLAY |