

# BT

## BIMETAL THERMOMETER

RANGE

-50 ~ 50 ...

**600 °C**

MOUNTING

**BACK**

STEM LENGTH

Max.

**500 mm**

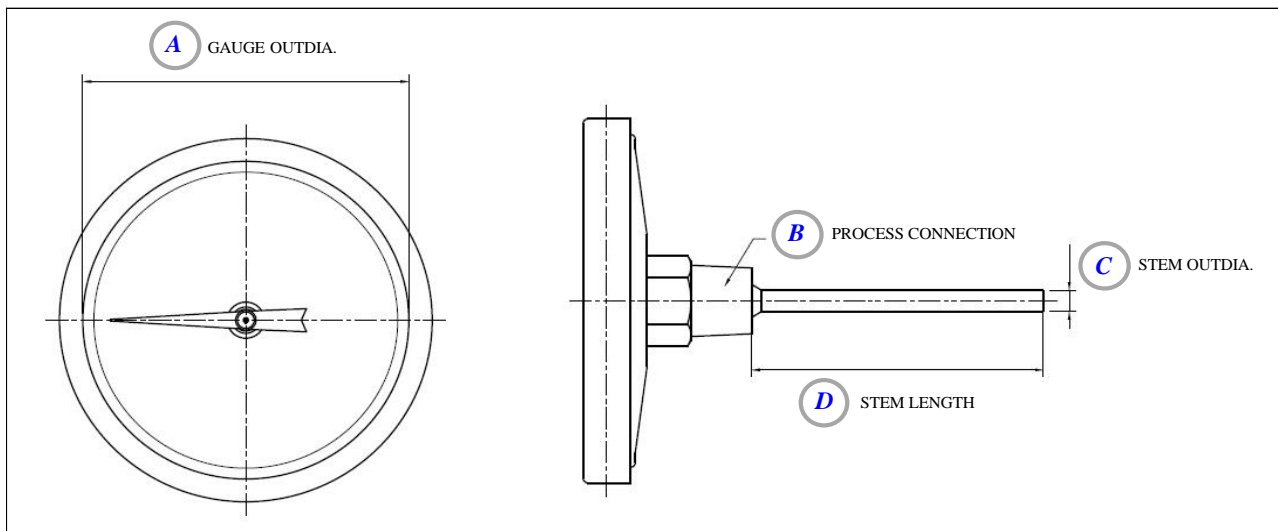


### SPECIFICATION

<b>MODEL</b>	BT		
<b>MOUNTING TYPE</b>	Center Back Connection		
<b>MATERIALS</b>	Case, Cover	: 304SS	
	Stem, Connection	: 304SS, 316SS*	
<b>GAUGE OUTDIA.</b>	50, 65, 75, 100, 125, 150mm		
<b>PROCESS CONNECTION</b>	50mm	: 1/4" PT, NPT	
	65, 75mm	: 3/8", 1/2" PT, NPT	
	100, 125, 150mm	: 3/8", 1/2", 3/4", 1" PT, NPT	
<b>STEM OUTDIA.</b>	6.4, 8, 10, 12mm		
<b>STEM LENGTH</b>	Max. 500mm	* = Optional	

RANGE TABLE ( Unit: °C )

CODE	RANGE	CODE	RANGE	CODE	RANGE	CODE	RANGE	CODE	RANGE
M1	-50 ~ 50 °C	M6	-20 ~ 50 °C	50	0 ~ 50 °C	120	0 ~ 120 °C	350	0 ~ 350 °C
M2	-50 ~ 100 °C	M7	-20 ~ 100 °C	60	0 ~ 60 °C	150	0 ~ 150 °C	400	0 ~ 400 °C
M3	-30 ~ 50 °C	M8	-20 ~ 150 °C	70	0 ~ 70 °C	200	0 ~ 200 °C	500	0 ~ 500 °C
M4	-30 ~ 100 °C	M9	-10 ~ 50 °C	80	0 ~ 80 °C	250	0 ~ 250 °C	600	0 ~ 600 °C
M5	-30 ~ 120 °C			100	0 ~ 100 °C	300	0 ~ 300 °C		



| FLOW | | PRESSURE | | TEMPERATURE | | AC | | DC | | BATTERY | | OUTPUT | | CONTACT | | DISPLAY |

