

# DPH200

## DIAPHRAGM TYPE DIFFERENTIAL PRESSURE GAUGE

RANGE

0 ~ 0.5 ...  
**7 kg/cm<sup>2</sup>**

ACCURACY

+/-  
**2.0 %**

MEDIA

**Liquid  
&  
Gas**



Approvals:

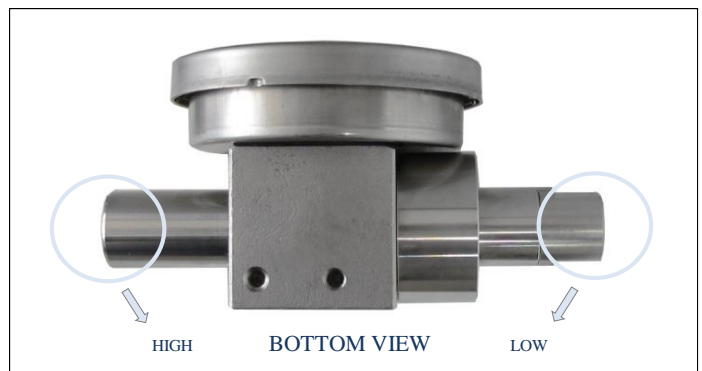


### SPECIFICATION

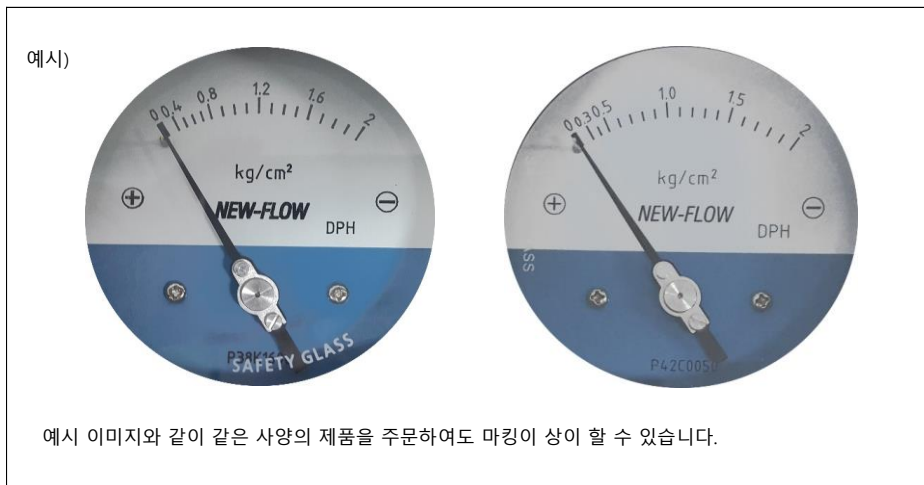
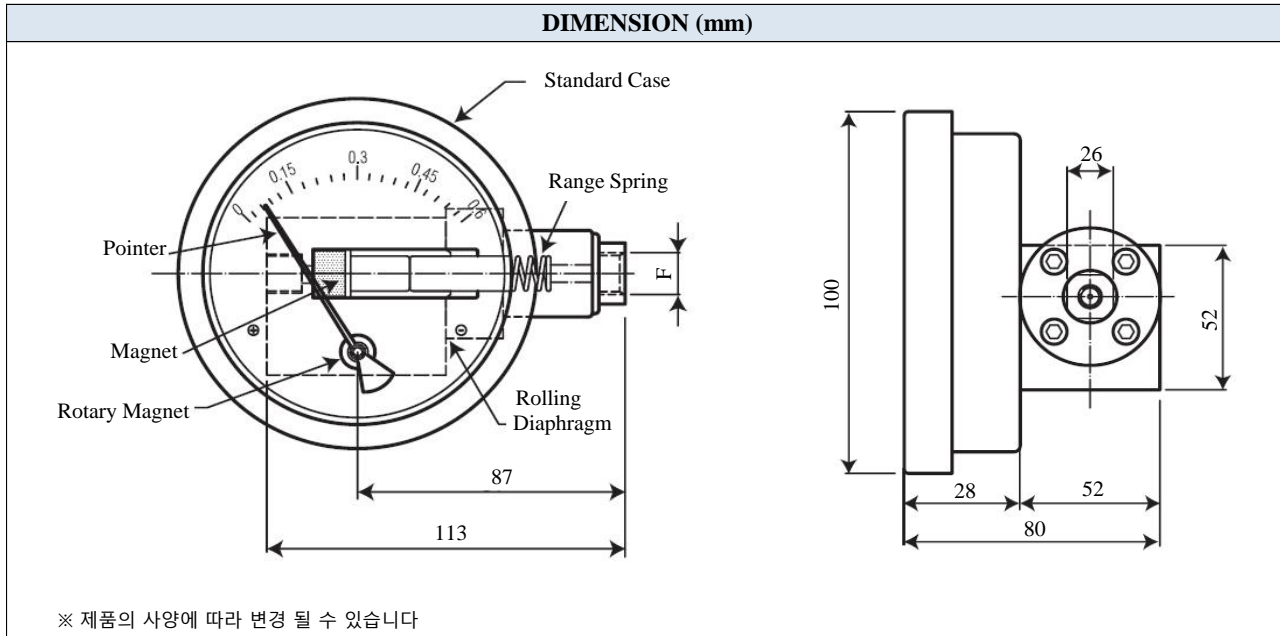
<b>MODEL</b>	DPH200
<b>APPLICATION</b>	Liquid & Gas
<b>ACCURACY</b>	±2.0% F.S. [ on rising pressure ]
<b>DIAL SIZE</b>	100mm 150mm*
<b>MATERIAL</b>	Housing : 316SS Wetted Parts : Diaphragm-Viton Other parts-316SS
<b>CONNECTION</b>	1/4" NPT Female 1/2" NPT Female* 1/4" PT Available* [ with adapter ]
<b>WORKING PRESSURE</b>	200 kgf/cm <sup>2</sup> ( Both of high & low side must be pressured on line at the same time)
<b>WORKING TEMPERATURE</b>	Max. 80°C Max. 150°C* [ with cooling element ]
<b>HOUSING PROTECTION</b>	IP66

\*=Optional

Range [ single scale ]		
CODE	kg/cm <sup>2</sup>	psi
07R	0 ~ 0.5 kg/cm <sup>2</sup>	0 ~ 7 psi
09R	0 ~ 0.6 kg/cm <sup>2</sup>	0 ~ 9 psi
12R	0 ~ 0.8 kg/cm <sup>2</sup>	0 ~ 12 psi
17R	0 ~ 1.2 kg/cm <sup>2</sup>	0 ~ 17 psi
30R	0 ~ 2 kg/cm <sup>2</sup>	0 ~ 30 psi
40R	0 ~ 2.5 kg/cm <sup>2</sup>	0 ~ 40 psi
60R	0 ~ 4 kg/cm <sup>2</sup>	0 ~ 60 psi
100R	0 ~ 7 kg/cm <sup>2</sup>	0 ~ 100 psi



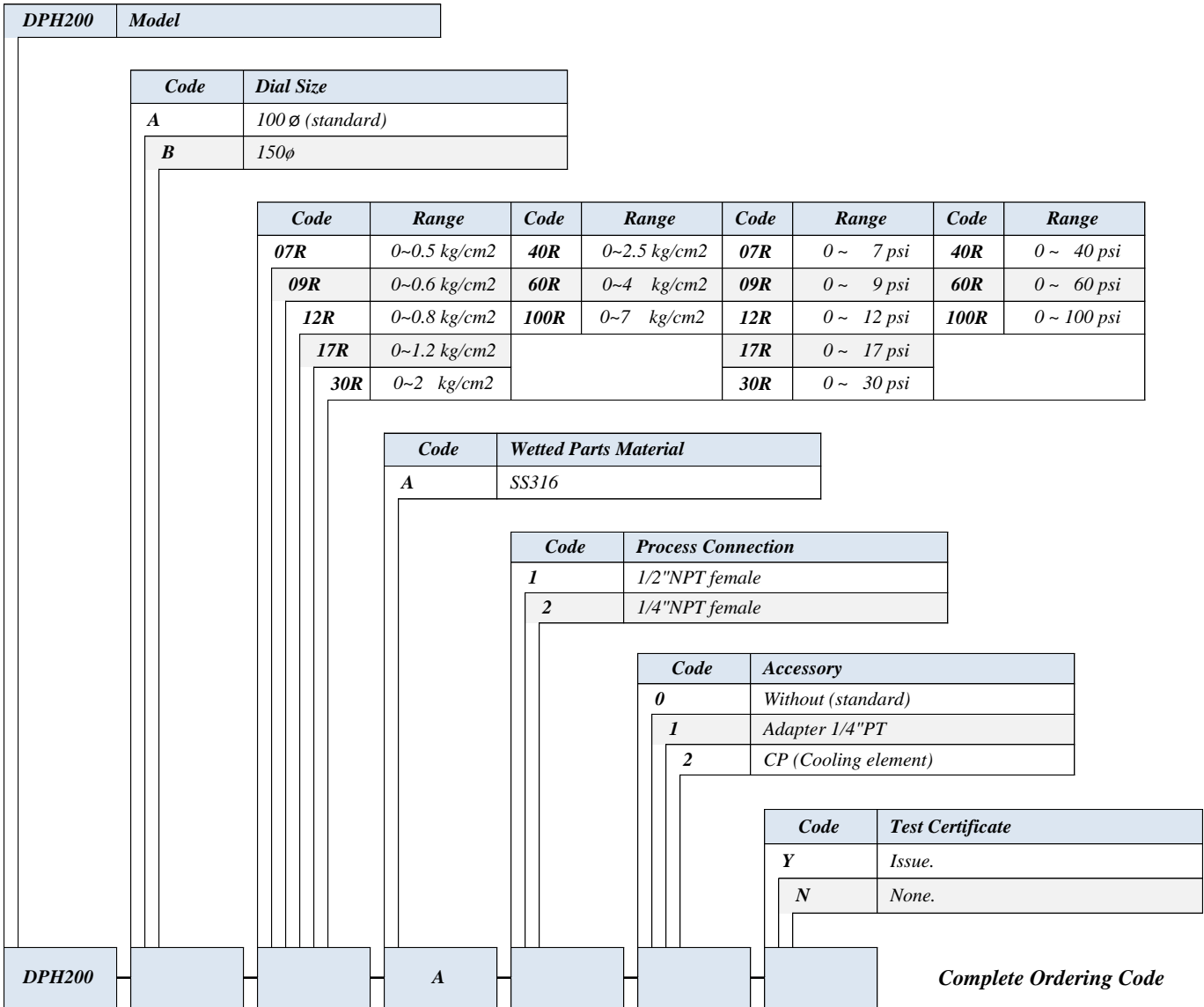
| FLOW | | PRESSURE | | TEMPERATURE | | AC | | DC | | BATTERY | | OUTPUT | | CONTACT | | DISPLAY |



<b>ACCESSORY</b>	
<b>ADAPTER</b>	<b>COOLING ELEMENT</b>
316SS 250bar at 25°C 1/4"NPT [M] x 1/4"PT [F]	CP 316SS 250bar at 25°C Temperature Limit : Max. 150°C 1/4"NPT [M] x 1/4"PT [F]

| FLOW | | PRESSURE | | TEMPERATURE | | AC | | DC | | BATTERY | | OUTPUT | | CONTACT | | DISPLAY |

### Ordering Information



| FLOW | | PRESSURE | | TEMPERATURE | | AC | | DC | | BATTERY | | OUTPUT | | CONTACT | | DISPLAY |