

RANGE

0 ~ 1 ...
20 bar

ACCURACY

+/-
2.5 %

MEDIA

**Liquid
&
Gas**



Approvals



Corrosion -
resistance

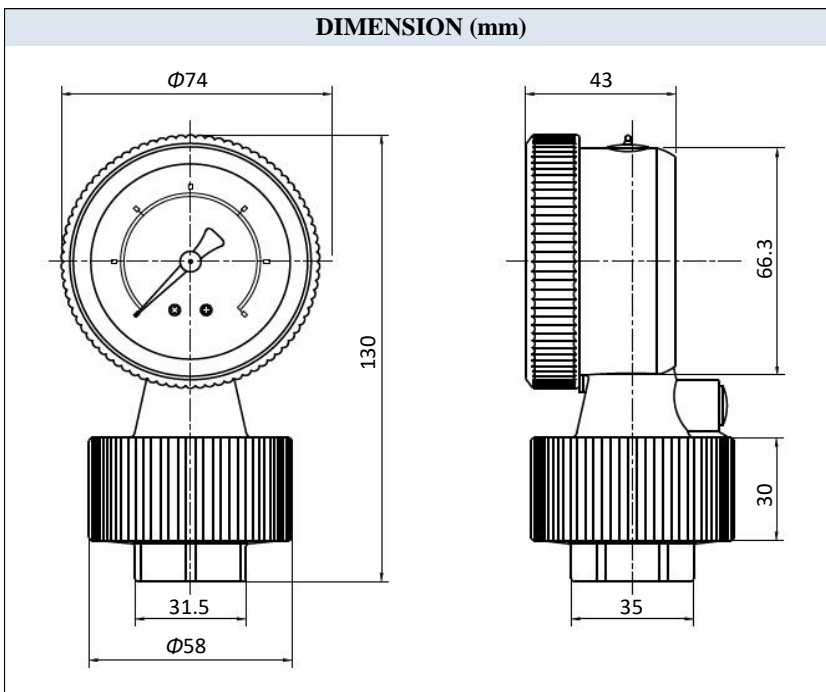


PRESSURE RANGE		
CODE A	0~1 bar	0~14.5 psi
CODE B	0~2 bar	0~29 psi
CODE C	0~3 bar	0~43.5 psi
CODE D	0~4 bar	0~58 psi
CODE E	0~6 bar	0~87 psi
CODE F	0~10 bar	0~145 psi
CODE G	0~15 bar	0~210 psi
CODE H	0~20 bar	0~290 psi

SPECIFICATION

MODEL	TFG [331-75]
ACCURACY	± 2.5% F.S.
WETTED PARTS MATERIAL	Case : PVDF Diaphragm capsule : PTFE
CONNECTION	1/2" PT Female
TEMPERATURE LIMIT	Medium : max.60℃ Ambient : -20 ~ 60℃

DIMENSION (mm)



| FLOW | | PRESSURE | | TEMPERATURE | | AC | | DC | | BATTERY | | OUTPUT | | CONTACT | | DISPLAY |

Ordering Information

