

RANGE

0 ~ 1 ...
20 bar

ACCURACY

+/-
2.5 %

MEDIA

**Liquid
&
Gas**



Approvals



Corrosion -
resistance

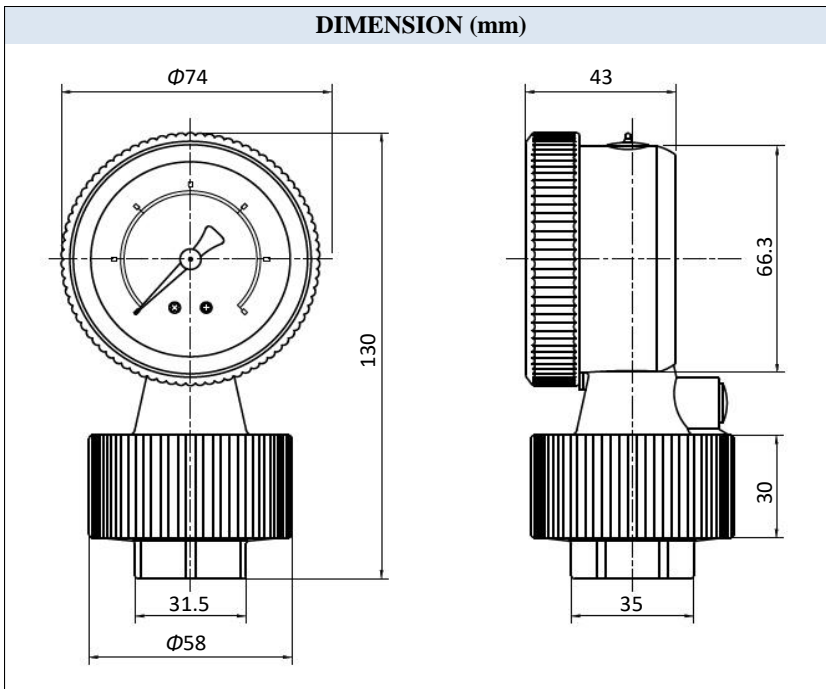


PRESSURE RANGE		
CODE A	0~1 bar	0~14.5 psi
CODE B	0~2 bar	0~29 psi
CODE C	0~3 bar	0~43.5 psi
CODE D	0~4 bar	0~58 psi
CODE E	0~6 bar	0~87 psi
CODE F	0~10 bar	0~145 psi
CODE G	0~15 bar	0~210 psi
CODE H	0~20 bar	0~290 psi

SPECIFICATION

MODEL	PPG [331-64]	
ACCURACY	± 2.5% F.S.	
WETTED PARTS MATERIAL	Case	: Polypropylene
	Diaphragm capsule	: Viton
CONNECTION	1/2" PT Female	
TEMPERATURE LIMIT	Medium	: max.60℃
	Ambient	: -20 ~ 60℃

DIMENSION (mm)



| FLOW | | PRESSURE | | TEMPERATURE | | AC | | DC | | BATTERY | | OUTPUT | | CONTACT | | DISPLAY |

Ordering Information

