

DT118

FLANGE TYPE DIAPHRAGM SEAL



RANGE

0 ~ 1 ...
10 bar

SIZE

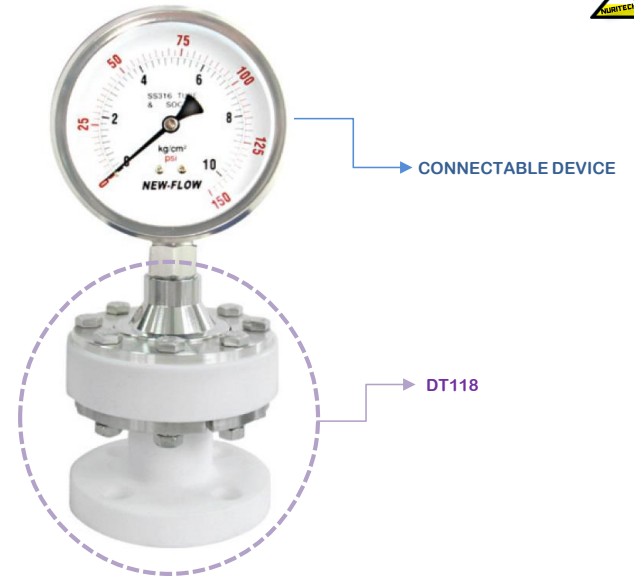
1/2 ...
2 Inch

MEDIA

**Liquid
&
Gas**

SPECIFICATION

MODEL	DT118
SIZE	1/2", 3/4", 1", 1-1/2", 2"
FLANGE RATING	JIS 10K ANSI 150# PN16
BODY MATERIAL	Upper housing : 316SS Lower housing : Teflon : PVDF : Polypropylene : PVC
MEMBRANE MATERIAL	316LSS + Teflon lining Hastelloy C276* Tantalum*
TEMPERATURE LIMITED	Max. 120°C

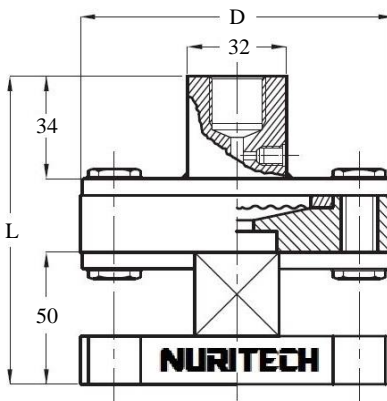
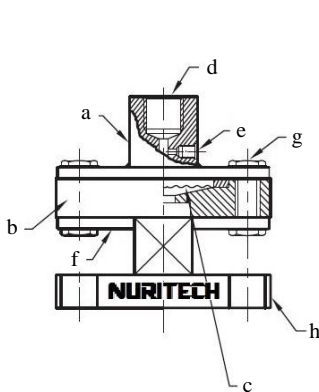


*=Optional

SIZE & PRESSURE RANGE

Diaphragm Size	55Φ	75Φ
Minimum [bar]	0 ~ 1	-1 ~ 0
Maximum [bar]	0 ~ 6	0 ~ 10

DIMENSION (mm)



* L: According to the flange rating

Membrane size

Φ	55	75
D	80	100

Item	Description of parts
a	Upper housing
b	Lower housing
c	Membrane
d	Instrument connection
e	Filling port
f	Process connection
g	Screw bolt
h	Flange

※ 제품의 사양에 따라 변경 될 수 있습니다.

FLOW | PRESSURE | TEMPERATURE | AC | DC | BATTERY | OUTPUT | CONTACT | DISPLAY

CONNECTABLE DEVICES

					
Model	PG	PGS	PGR	DPG3500	DPG3000
Accuracy	±1.6% F.S.	±1.0% F.S.	±0.5% F.S.	±1.0% F.S.	±0.5% F.S.
Gauge outdia.	60mm	100mm	125mm	80mm	75mm
Range Unit : bar or kg/cm2	-1 ~ 0 -1 ~ 1.5 -1 ~ 3 -1 ~ 5 -1 ~ 9 0 ~ 1 0 ~ 1.6 0 ~ 2.5 0 ~ 4 0 ~ 6 0 ~ 10	-1 ~ 0 -1 ~ 1.5 -1 ~ 3 -1 ~ 5 -1 ~ 9 0 ~ 1 0 ~ 2.5 0 ~ 4 0 ~ 7 0 ~ 10	-1 ~ 0 -1 ~ 1.5 -1 ~ 3 -1 ~ 5 -1 ~ 9 0 ~ 1 0 ~ 1.6 0 ~ 2.5 0 ~ 4 0 ~ 6 0 ~ 10	0 ~ 1 0 ~ 3.5 0 ~ 7	-1 ~ 0 0 ~ 7

| FLOW |
 | PRESSURE |
 | TEMPERATURE |
 | AC |
 | DC |
 | BATTERY |
 | OUTPUT |
 | CONTACT |
 | DISPLAY |



Ordering Information

DT118	Model					
	Code	Instrument Connection	Code	Instrument Connection	Code	Instrument Connection
	A	1/4" BSP Female	C	3/8" BSP Female	E	1/2" BSP Female
	B	1/4" NPT Female	D	3/8" NPT Female	F	1/2" NPT Female
	Code	Membrane size				
	A	ø55				
	B	ø75				
	Code	Upper housing material				
	S	SS316 [std.]				
	O	Option				
	Code	Lower housing material				
	V	PVC				
	P	P.P				
	T	Teflon				
	PV	PVDF				
	Code	Membrane material				
	H	Hastelloy C276				
	Ta	Tantalum				
	Tf	SS316L+Teflon lining				
	O	Option				
	Code	Process Connection	Code	Process Connection		
	A	1/2"	D	1-1/2"		
	B	3/4"	E	2"		
	C	1"	O	Option		
	Code	Process Connection Rating				
	A	JIS 10K				
	B	ANSI 150#				
	C	PN16				
	O	Option				
	Code	Connectable Devices				
	P	PG (fill range)				
	PS	PGS (fill range)				
	PR	PGR (fill range)				
	D35	DPG3500 (fill range)				
	D30	DPG3000 (fill range)				
	Code	Test Certi.				
	Y	Issue.				
	N	None.				
DT118						

| FLOW | | PRESSURE | | TEMPERATURE | | AC | | DC | | BATTERY | | OUTPUT | | CONTACT | | DISPLAY |