

DT114 / VDT114

THREAD TYPE DIAPHRAGM SEAL



RANGE

0 ~ 1 ...
10 bar

SIZE

1/4 ...
1/2 Inch

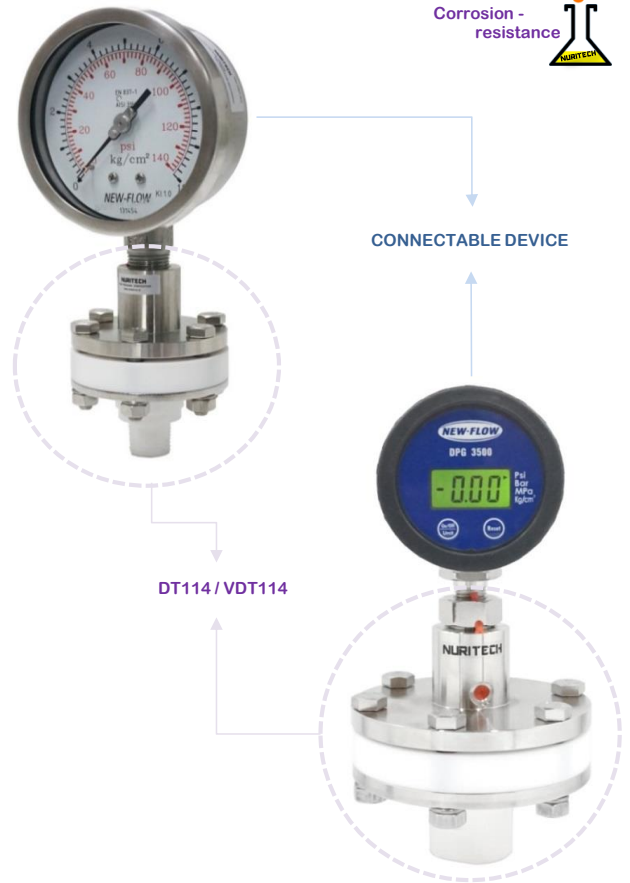
MEDIA

**Liquid
&
Gas**

SPECIFICATION

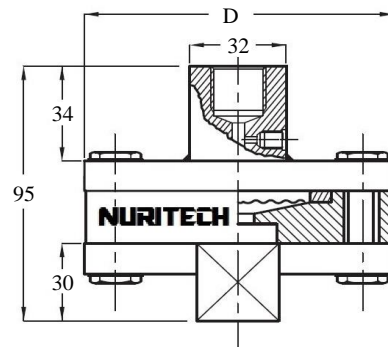
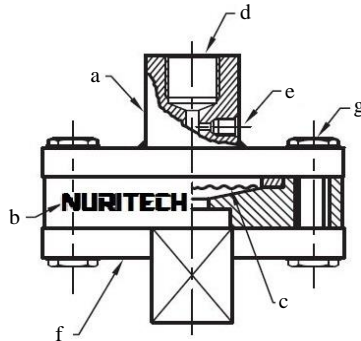
MODEL	DT114 VDT114
MEMBRANE SIZE	55Φ : 0~4...10 bar 75Φ : -1~0...2.5 bar
CONNECTION	1/4", 3/8", 1/2" NPT, PF male, Female
BODY MATERIAL	Upper housing : 316SS Lower housing : Teflon : Polypropylene : PVC : PVDF
MEMBRANE MATERIAL	316LSS + Teflon lining Hastelloy C276* Tantalum*
TEMPERATURE LIMITED	Max. 120°C

*=Optional



DIMENSION (mm)

Item	Description of parts
a	Upper housing
b	Lower housing
c	Membrane
d	Instrument connection
e	Filling port
f	Process connection
g	Screw bolt








Membrane size

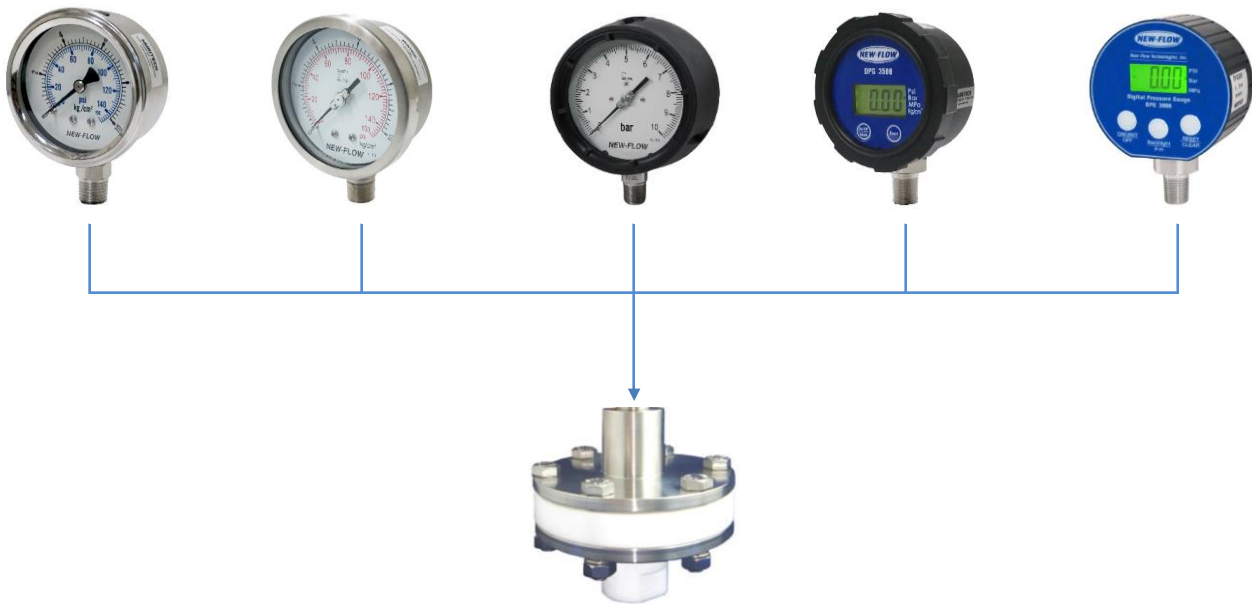
	55	75
Φ	55	75
D	80	100

제품의 사양에 따라 변경 될 수 있습니다.

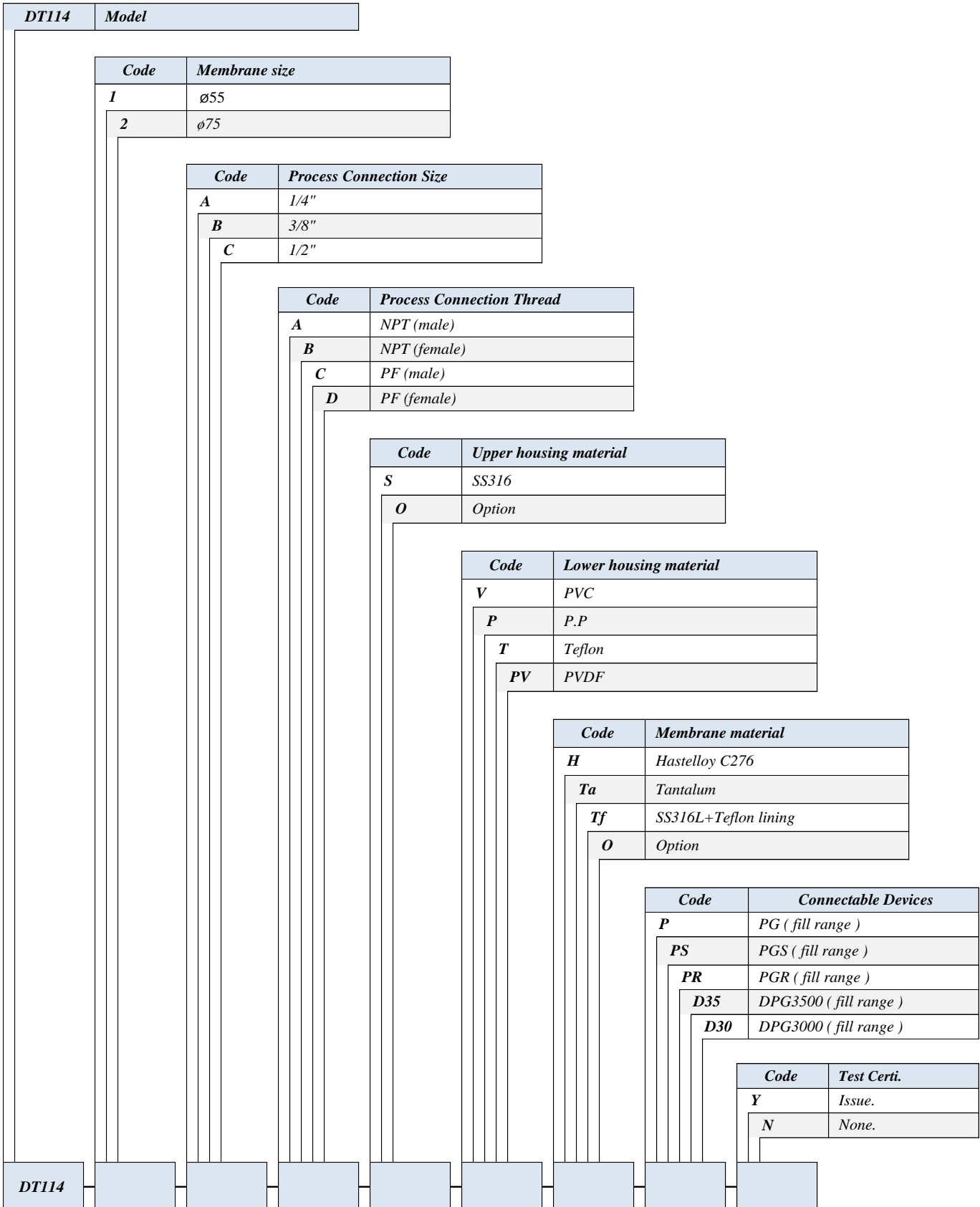
CONNECTABLE DEVICES

					
Model	PG	PGS	PGR	DPG3500	DPG3000
Accuracy	±1.6% F.S.	±1.0% F.S.	±0.5% F.S.	±1.0% F.S.	±0.5% F.S.
Gauge outdia.	60mm	100mm	125mm	80mm	75mm
Range Unit : bar or kg/cm ²	-1 ~ 0 -1 ~ 1.5 -1 ~ 3 -1 ~ 5 -1 ~ 9 0 ~ 1 0 ~ 1.6 0 ~ 2.5 0 ~ 4 0 ~ 6 0 ~ 10	-1 ~ 0 -1 ~ 1.5 -1 ~ 3 -1 ~ 5 -1 ~ 9 0 ~ 1 0 ~ 2.5 0 ~ 4 0 ~ 7 0 ~ 10	-1 ~ 0 -1 ~ 1.5 -1 ~ 3 -1 ~ 5 -1 ~ 9 0 ~ 1 0 ~ 1.6 0 ~ 2.5 0 ~ 4 0 ~ 6 0 ~ 10	0 ~ 1 0 ~ 3.5 0 ~ 7	-1 ~ 0 0 ~ 7

| FLOW |
 | PRESSURE |
 | TEMPERATURE |
 | AC |
 | DC |
 | BATTERY |
 | OUTPUT |
 | CONTACT |
 | DISPLAY |



Ordering Information



| FLOW | | PRESSURE | | TEMPERATURE | | AC | | DC | | BATTERY | | OUTPUT | | CONTACT | | DISPLAY |