

# P601EX-S

FLUSH DIAPHRAGM PRESSURE TRANSMITTER



Approvals



FLOW | PRESSURE | TEMPERATURE | AC | DC | BATTERY | OUTPUT | CONTACT | DISPLAY



TFS Type

Explosion Proof Type

TFS Bottom View



SCS Type

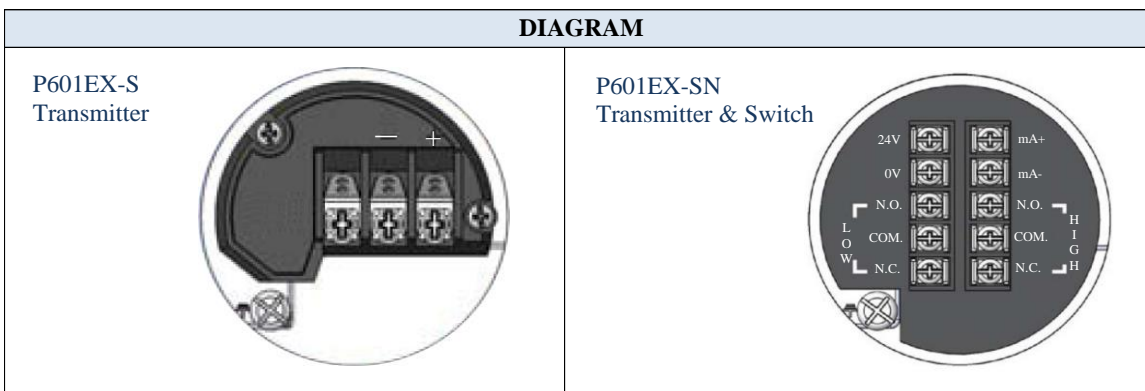
RANGE	ACCURACY	MEDIA
0 ~ 0.5 ... <b>350 bar</b>	+/- <b>0.5 %</b>	<b>Liquid &amp; Gas</b>

## SPECIFICATION

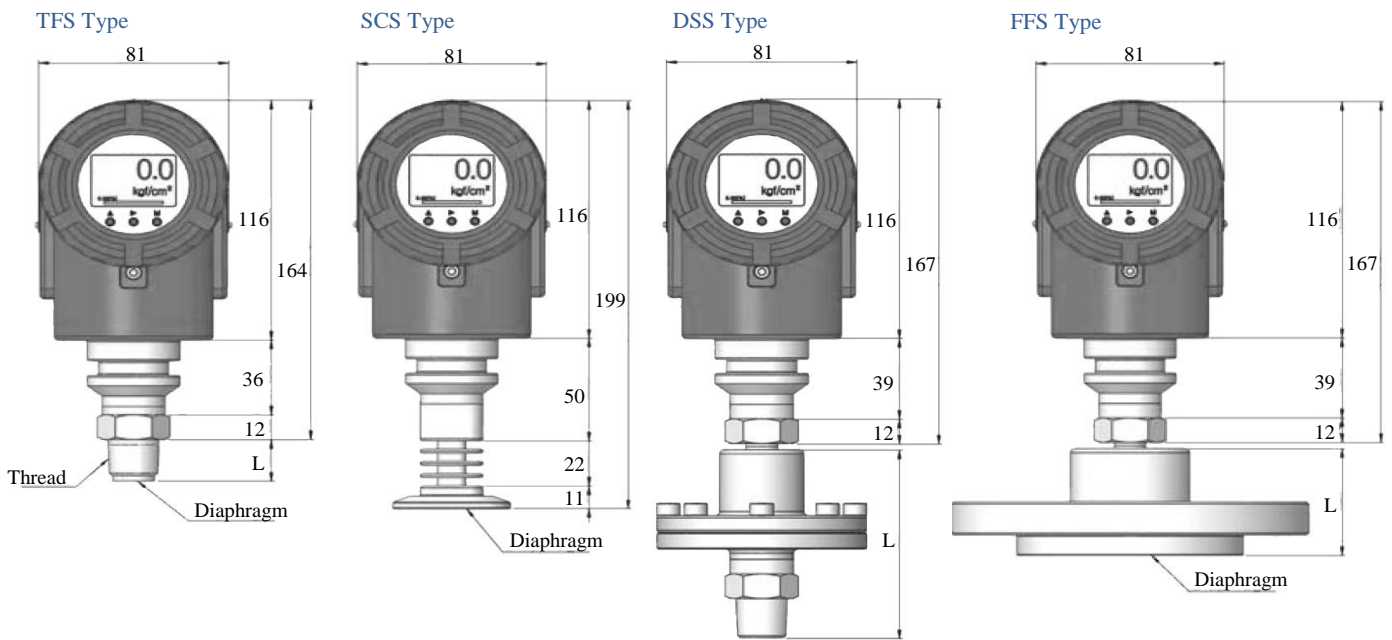
<b>MODEL</b>	P601EX-S : Transmitter P601EX-SN : Transmitter & Switch
<b>ACCURACY</b>	±0.5% F.S.
<b>RANGE</b>	0 ~ 0.5 ... 350 bar 0 ~ 0.5 bar 부터 0 ~ 350 bar 사이의 모든 압력범위 제작가능 진공 및 연성 제작 가능
<b>OUTPUT</b>	P601EX-S : DC4-20mA P601EX-SN : DC4-20mA & 2 x SPDT 5A@30V DC, 0.5A@125V AC
<b>POWER</b>	DC24V
<b>DISPLAY</b>	Customized 5-Digit LCD
<b>OPERATING TEMPERATURE</b>	-10 ~ 80 °C Max.200°C* [ with cooling element ]
<b>AMBIENT TEMPERATURE</b>	-20 ~ 60 °C
<b>COMPENSATED TEMPERATURE</b>	0 ~ 50 °C
<b>PROCESS CONNECTION</b>	1/2", 3/4", 1", 1.5" Screw, Flange & Clamp
<b>CABLE GLAND PORT</b>	1/2"PF Female
<b>MATERIAL</b>	Housing : Aluminum Die-casting Wetted Parts : 316SS Other materials available
<b>UNIT</b>	bar, kgf/cm2, MPa, kPa, psi, mmH2O, mmHg...
<b>PROTECTION</b>	IP67 Ex d IIC T6

\*=Optional

## DIAGRAM



### DIMENSION (mm)



※ 제품의 사양에 따라 변경 될 수 있습니다

### DIAPHRAGM SEAL

	<p><b>Threaded Flush Diaphragm Seal</b> TFS 1/2", 3/4", 1", 1-1/2", 2" PT Male -10 ~ 80 °C Max.200 °C* 316LSS, Hastelloy C*</p>		<p><b>Sanitary Clamped Diaphragm Seal</b> SCS 1, 1.5, 2, 3S -15 ~ 120 °C Max.200 °C* 316LSS, Hastelloy C*</p>																		
	<p><b>Temperature coefficient (mbar/10 °C)</b></p> <table border="1"> <tr> <td>1/2"</td> <td>3/4"</td> <td>1"</td> <td>1-1/2"</td> <td>2"</td> </tr> <tr> <td>+100</td> <td>+50</td> <td>+30</td> <td>+15</td> <td>+6</td> </tr> </table>		1/2"	3/4"	1"	1-1/2"	2"	+100	+50	+30	+15	+6	<p><b>Temperature coefficient (mbar/10 °C)</b></p> <table border="1"> <tr> <td>1S</td> <td>1.5S</td> <td>2S</td> <td>3S</td> <td>4S</td> </tr> <tr> <td>+20</td> <td>+15</td> <td>+5</td> <td>+2</td> <td>+2</td> </tr> </table>	1S	1.5S	2S	3S	4S	+20	+15	+5
1/2"	3/4"	1"	1-1/2"	2"																	
+100	+50	+30	+15	+6																	
1S	1.5S	2S	3S	4S																	
+20	+15	+5	+2	+2																	
	<p><b>Diaphragm Screw Seal</b> DSS 1/2", 3/4", 1"PT Male or Female -40 ~ 200 °C -75 ~ 380 °C* 316LSS Hastelloy C, Inconel 600, Tantalum Titanium, Nickel*</p>		<p><b>Flush Diaphragm Seal</b> FFS 40, 50, 80, 100A -40 ~ 200 °C -75 ~ 380 °C* 316LSS Hastelloy C, Inconel 600, Tantalum Titanium, Nickel, Teflon Coating*</p>																		

### OPTION ( FOR HIGH TEMPERATURE )

	<p><b>COOLING FIN</b> CP 316SS Temperature Limit : Max. 200°C</p>		<p><b>CAPILLARY TUBE</b> CL Stainless Steel Temperature Limit : Max. 300°C</p>
--	---	--	--

| FLOW | | PRESSURE | | TEMPERATURE | | AC | | DC | | BATTERY | | OUTPUT | | CONTACT | | DISPLAY |

## Ordering Information

Code	Model
P601EX-S	Transmitter
P601EX-SN	Transmitter & Switch

Code	Diaphragm Seal
1	TFS
2	SCS
3	DSS
4	FFS

Code	Pressure Range
제작범위	0~0.5 bar 부터 0~350 bar 까지 요청 압력범위 선택 ex) 0~1 bar, 0~10 bar, 0~100 bar ...
선택기재	진공압 및 연성압 제작 가능 ex) -1~0 bar, -1~+1 bar, -1~+10 bar ...

Code	Output
1	4-20mA
2	4-20mA & 2SPDT [ H & L ]

TFS Type		SCS Type		DSS Type		FFS Type	
Code	Size	Code	Size	Code	Size	Code	Size
T1	1/2"PT	S1	1S	D1	1/2"PT	F40	40A
T2	3/4"PT	S1.5	1.5S	D2	3/4"PT	F50	50A
T3	1"PT	S2	2S	D3	1"PT	F80	80A
T4	1-1/2"PT	S3	3S			F100	100A
T5	2"PT						

※ Special process connections available on request

Code	Option
0	Without (std.)
1	CP
2	CL

Complete Ordering Code

FLOW | PRESSURE | TEMPERATURE | AC | DC | BATTERY | OUTPUT | CONTACT | DISPLAY