

# PNS

## PRESSURE TRANSMITTER

RANGE

0 ~ 0.01 ...  
**5000 bar**

ACCURACY

+ / -  
**0.25 %**

MEDIA

**Liquid  
&  
Gas**

### SPECIFICATION

<b>MODEL</b>	PNS	
<b>ACCURACY</b>	0.05 bar 이하	: ±1.0% F.S.
	0.05 bar 초과 0.35 bar 이하	: ±0.5% F.S.
	0.35 bar 초과 350 bar 이하	: ±0.25% F.S.
	350 bar 초과 5000 bar 이하	: ±0.5% F.S.
<b>RANGE</b>	0 ~ 0.01 ... 5000 bar 0 ~ 0.01 bar 부터 0 ~ 5000 bar 사이의 모든 압력범위 제작가능 진공 및 연성, 절대압 제작 가능	
<b>OUTPUT</b>	DC4-20mA	: 2-wire or 4-wire
	1~5V DC	: 3-wire or 4-wire
	0.1~5V DC	: 3-wire or 4-wire
	0.1~10V DC	: 3-wire or 4-wire
<b>POWER</b>	DC24V	
<b>MEDIA TEMPERATURE</b>	0.05 bar 이하	: -10 ~ 70°C
	0.05 bar 초과 0.35 bar 이하	: -20 ~ 80°C
	0.35 bar 초과 5000 bar 이하	: -20 ~ 100°C
<b>COMPENSATED TEMPERATURE</b>	0.05 bar 이하	: 0 ~ 50°C
	0.05 bar 초과 0.35 bar 이하	: 0 ~ 70°C
	0.35 bar 초과 5000 bar 이하	: -10 ~ 80°C
<b>AMBIENT TEMPERATURE</b>	-20 ~ 60°C	
<b>MATERIAL</b>	Housing	: 304SS
	Wetted Parts	: 0.35 bar 이하 - 316LSS, Viton : 0.35 bar 초과 - 316LSS
<b>MATERIAL OPTION</b>	Wetted Parts	: Diaphragm - Tantalum or Hastelloy C276* : Connection - Hastelloy C276*
<b>UNIT</b>	bar, kgf/cm2, MPa, kPa, psi, mmH2O, mmHg... Other unit available	
<b>RESPONSE TIME</b>	≤ 20ms ( 10...90% )	
<b>ELECTRICAL CONNECTION</b>	DIN 43650 M12 Connector* Cable*	
<b>PROCESS CONNECTION</b>	PT 1/8", 1/4", 3/8", 1/2" PF 1/4", 3/8", 1/2" NPT 1/4", 3/8", 1/2" VCR 1/4", 1/2" 1000 bar < M20x1.5P Other connection available	

\*=Optional



**ELECTRICAL CONNECTION**

DIN 43650  
M12 Connector  
Cable

**PRESSURE RANGE**

0~0.01 bar up to 0~5000 bar  
Gauge, Vacuum, Compound  
Absolute Pressure available

**OUTPUT**

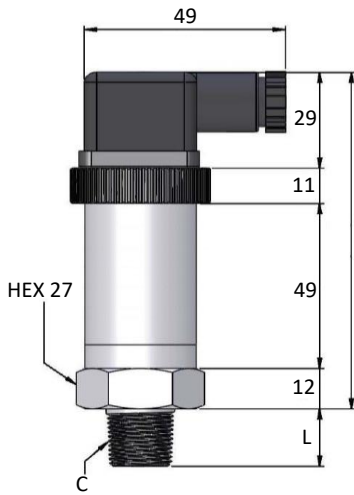
DC4-20mA  
1~5V DC, 0.1~5V DC, 0.1~10V DC

**PROCESS CONNECTION**

PT 1/8", 1/4", 3/8", 1/2"  
PF 1/4", 3/8", 1/2"  
NPT 1/4", 3/8", 1/2"  
VCR 1/4", 1/2"  
M20x1.5P

FLOW | PRESSURE | TEMPERATURE | AC | DC | BATTERY | OUTPUT | CONTACT | DISPLAY

### DIMENSION (mm)



※ 제품의 사양에 따라 변경 될 수 있습니다

Process Connection	
C	L
PT 1/4"	14
PT 3/8"	17
PT 1/2"	18
UNF 7/16"	14

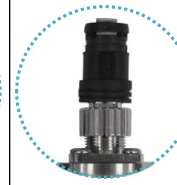
### ELECTRICAL CONNECTION



#### DIN43650 (std.)

Protection  
IP65

Cable Length  
Approx. 1.4M (std.)  
Other lengths  
available on request  
2-wire type  
not included cable



#### M12 Connector

Protection  
IP67

Cable Length  
Approx. 2.8M (std.)  
Other lengths  
available on request



#### Cable

Protection  
IP65

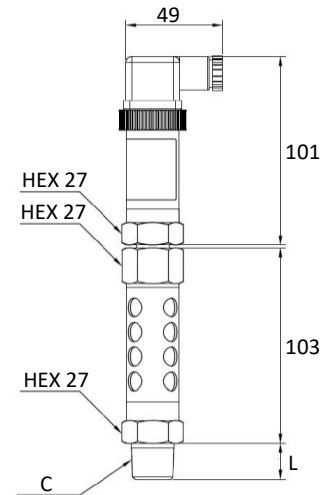
Cable Length  
Approx. 1.4M (std.)  
Other lengths  
available on request

### OPTION ( FOR HIGH TEMPERATURE )

#### COOLING ELEMENT

Model : PNS-CP

RANGE	TEMPERATURE LIMIT	ACCURACY
0.05 bar 이하	Max. 200°C @ 25°C	±2.0% F.S.
0.05 bar 초과 0.35 bar 이하	Max. 300°C @ 25°C	±1.0% F.S.
0.35 bar 초과 350 bar 이하	Max. 350°C @ 25°C	±0.5% F.S.
350 bar 초과 1000 bar 이하	Max. 350°C @ 25°C	±1.0% F.S.



※ 제품의 사양에 따라 변경 될 수 있습니다

### RELATED PRODUCTS

## PD1

PRESSURE INDICATOR  
Only Display



MODEL	PD1
DISPLAY	4-Digit Red LED
ACCURACY	±0.2% F.S.
SAMPLING CYCLE	200ms
INPUT	DC4-20mA
OUTPUT	None
AMBIENT TEMPERATURE	-10 to 60°C
HOUSING MATERIAL	ABS Resin
POWER	AC110/220V, 50~60Hz DC24V [ option ]
FEATURE	Adjustable Scale & Decimal Point Peak Hold Correction of error Built in Power supply for transmitter [ DC24V ]
MOUNTING	Panel mounting Type

Size : 96(W) x 48(H) x 112(D)

Panel Cut : 92(W) x 45(H)

## PD2

PRESSURE INDICATOR  
Output Signal



MODEL	PD2
DISPLAY	4-Digit Red LED
ACCURACY	±0.2% F.S.
SAMPLING CYCLE	200ms
INPUT	DC4-20mA
OUTPUT	DC4-20mA 2-Relays output [DC24V-1A, AC240V-0.5A] RS-485 [ option ] 1~5V DC [ option ]
AMBIENT TEMPERATURE	-10 to 60°C
HOUSING MATERIAL	ABS Resin
POWER	AC110/220V, 50~60Hz DC24V [ option ]
FEATURE	Adjustable Scale & Decimal Point Peak Hold Correction of error Built in Power supply for transmitter [ DC24V ]
MOUNTING	Panel mounting Type

Ordering Information

Code	Model
PNS	PNS (std.)
PNS-CP	PNS-CP (고온용)

Code	Pressure Type
1	Gauge
2	Absolute

Code	Pressure Range
제작범위	0~0.01 bar 부터 0~5000 bar 까지 요청 압력범위 선택 ex) 0~10 kPa, 0~150 psi, 0~100 bar
선택기재	진공압 및 연성압 제작 가능 ex) -760~0 mmHg, -1~0 bar, -10~10 kPa, -1~10 bar

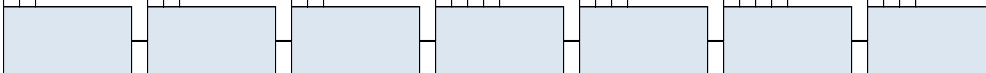
Code	Output
1	4-20mA
2	1-5V DC
3	0.1-5V DC
4	0.1-10V DC

Code	Wiring
1	2-wire [ mA output ]
2	3-wire [ VDC output ]
3	4-wire [ mA or VDC output ]

Code	Size	Code	Size	Code	Size	Code	Size
1	PT1/8"						
2	PT1/4"	5	PF1/4"	8	NPT1/4"	11	VCRI/4"
3	PT3/8"	6	PF3/8"	9	NPT3/8"	12	VCRI/2"
4	PT1/2"	7	PF1/2"	10	NPT1/2"	13	M20x1.5P

※ Special process connections available on request

Code	Electrical Connection
1	DIN 43650 (std.)
2	M12 Connector
3	Cable



Complete Ordering Code

FLOW | PRESSURE | TEMPERATURE | AC | DC | BATTERY | OUTPUT | CONTACT | DISPLAY